

HLK-6000

Pilot Check Block



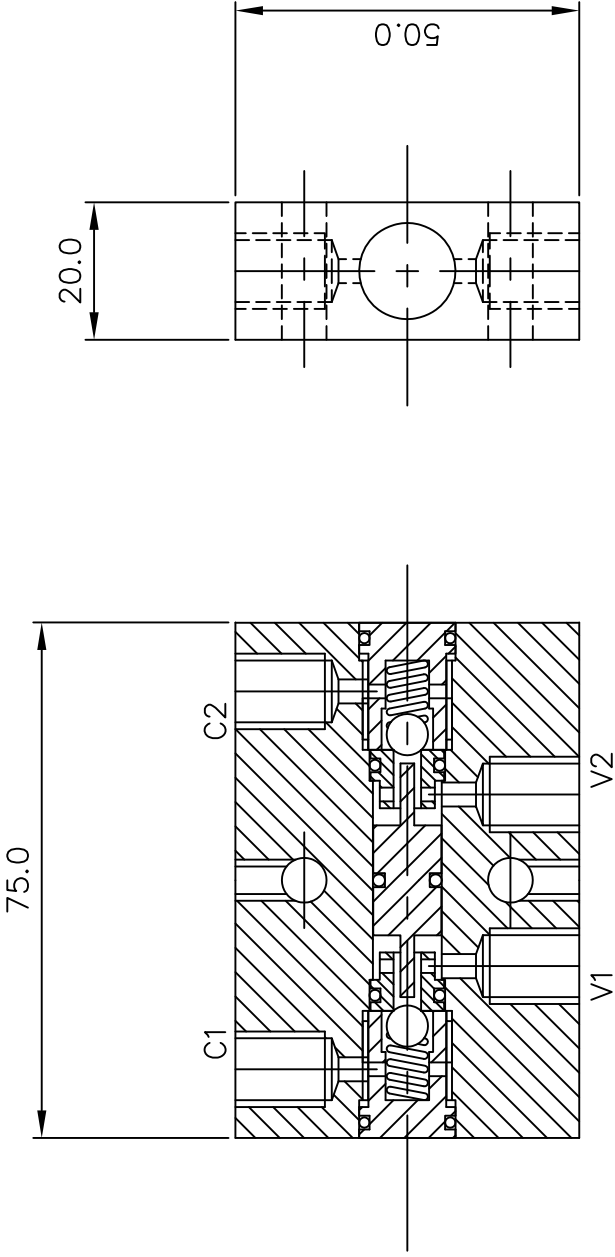
Features

- These tiny units are used in conjunction with HLK control systems to ensure a positive hydraulic lock when a manipulator is not being operated
- Highly compact, weighing only 140g in air
- Made up into a set they can be mounted with Quick Connects to enable easy change out of manipulators

Specification:

Dimensions	Length	75mm
	Width	20mm
	Height	50mm
Weight	Weight in air	0.14Kg
	Weight in water	0.1Kg
Hydraulics	Max working pressure	210 Bar
Porting		7/16 SAE
Construction		HE30 Aluminium Alloy Hard Black Anodised

'C' PORTS TO CYLINDER
 'V' PORTS TO VALVE
 V1; V2; C1; C2 - 7/16" SAE



SPECIFICATION :-

WEIGHT IN AIR 140 g
 WEIGHT IN WATER 100 g
 MAX. WORKING PRESSURE 210 bar
 PORTS 7/16" S.A.E.
 HE 30 HARD ANODISED ALUMINIUM BLOCK

HYDRO-LEK LTD.	HLK-6000 PILOT CHECK BLOCK
ISS. DATE: -	MAT: -
CHKD BY: -	REV. NO: - 1
DRAWN BY: -JW	18/8/99
	DRG. NO: - HLK 6000/DATA

ALL DIMENSIONS ±0.1 UNLESS OTHERWISE STATED