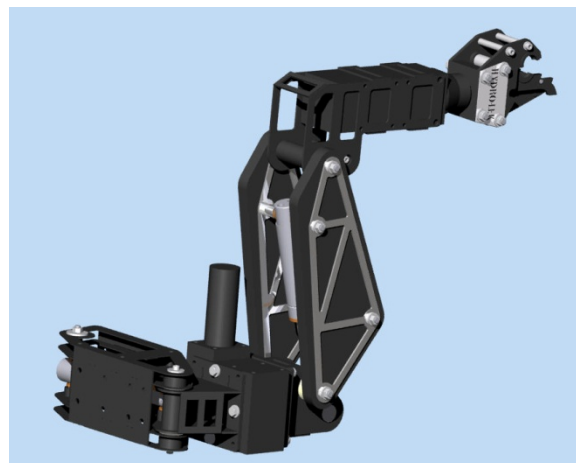




# HLK-HD6W

## 6-Function Heavy Duty Manipulator



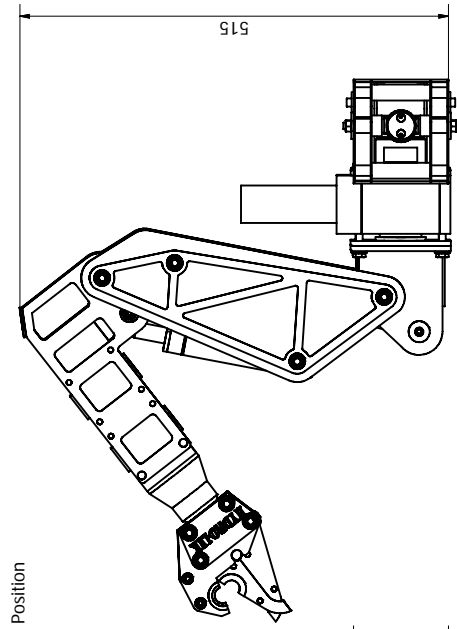
### Features

- 6 degrees of freedom manipulator
- Rugged and tough
- Excellent dexterity and articulation
- Lift of 40Kg at full reach
- 360° shoulder rotate
- Port or starboard mounting configuration on the slew plate

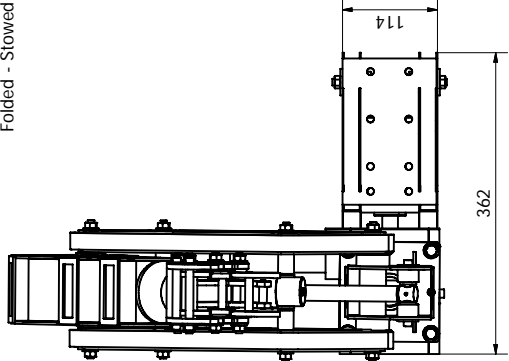
### Specification:

<b>Dimensions</b>	Length of arm	1120mm
	Length of slew	280mm
	Height	530mm
	Width	145mm
<b>Capacities</b>	Jaw Rotate	360° continuous
	Torque at 140 Bar (across ports)	38Nm
	Lift capacity at full reach at 140 Bar	40Kg
<b>Weight</b>	Weight in air	29Kg
	Weight in water	21Kg
<b>Construction</b>		316 Stainless Steel Jaws High Density Polyethylene/Aluminium
<b>Ports</b>		1/8 NPT - 7/16 SAE

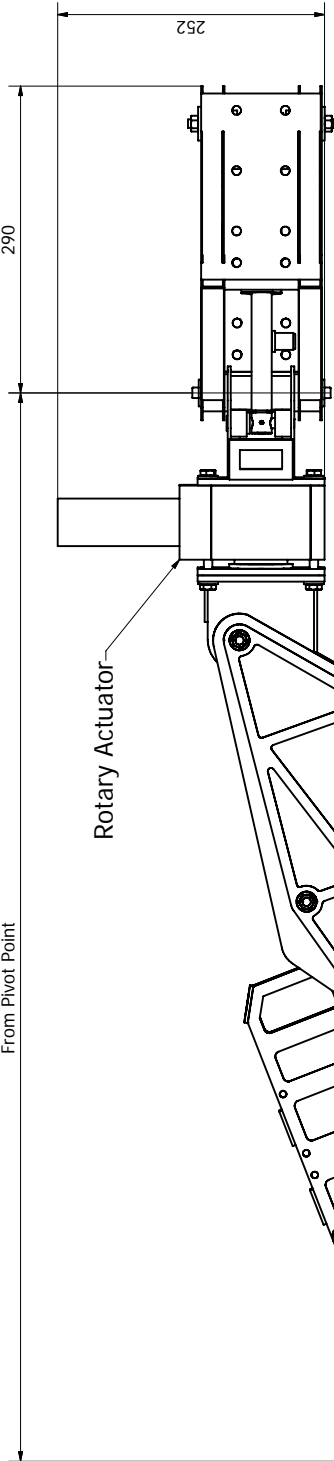
**Specification & Dimensions subject to change without prior notification**



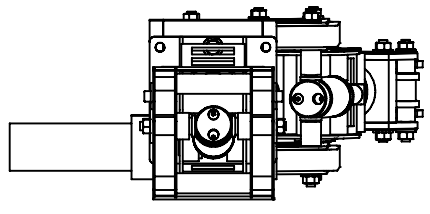
Folded - Stowed Position



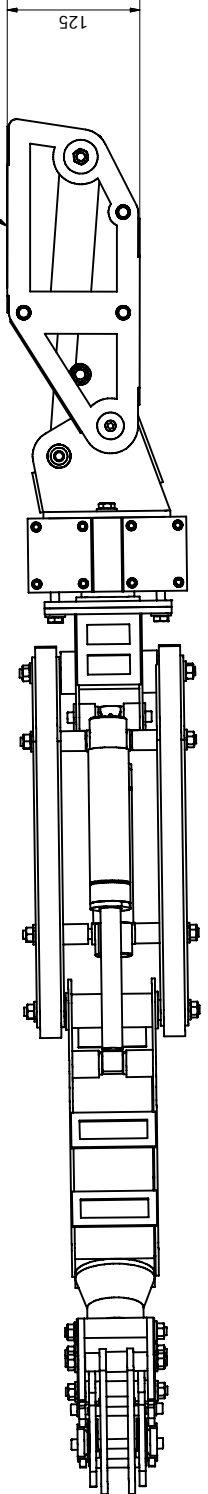
1010 (Max Reach Approx 1050)  
From Pivot Point



Rotary Actuator



Slew Bracket may be mirrored  
for port or starboard mounting



Slew Bracket may be mirrored  
for port or starboard mounting

Designed by Alan Green	Checked by	Approved by	Date	Date
			19/02/2008	
Hydro-Lek Limited, Unit 4, Weiler Drive Hogwood Lane Industrial Estate Finchamstead, Berks. RG40 4QZ			6 Function Arm	
Tel: 0118 9736903 Fax: 0118 9736915			HLK-HD6W	
			Edition 0	
			Sheet 1 / 1	