

IF IN ANY DOUBT - ASK!

### PART NUMBER STRUCTURE

CYLINDER RANGE (CO2 = 35mm BORE)

NOMINAL STROKE mm (WITHOUT LIMITER)

- 65mm
- 100mm

NOMINAL CLOSED CENTRES mm (WITHOUT LIMITER)

MIN CLOSED CENTRE = STROKE + 75mm

- 140mm
- 175mm
- 205mm

ROD END TYPE

- 0 NO ROD EYE (M10 FEMALE THREAD)
- 1 Ø 1/2" STRIGHT ROD EYE
- 2 Ø 1/2" OFFSET ROD EYE

PORT FITTING

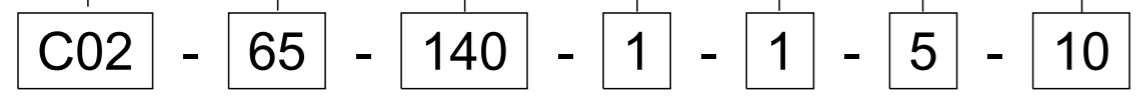
- 0 NO FITTING
- 1 1/4" BSPP MALE ADAPTOR
- 2 No4 JIC MALE ADAPTOR
- 3 1/4" SWAGELOK MALE CONNECTOR
- 4 1/4" OD SWAGELOK TUBE ADAPTOR

EXTEND LIMITER mm (FIT INFRONT OF PISTON TO REDUCE STROKE LENGTH)

- 0 NOT FITTED
- 5mm
- 10mm

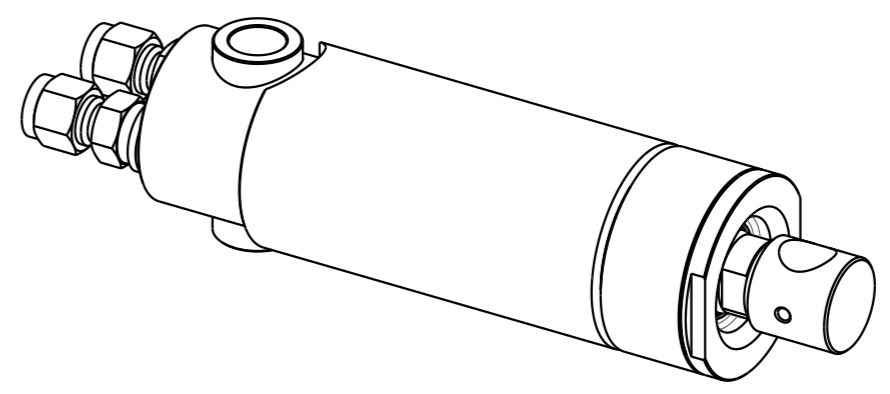
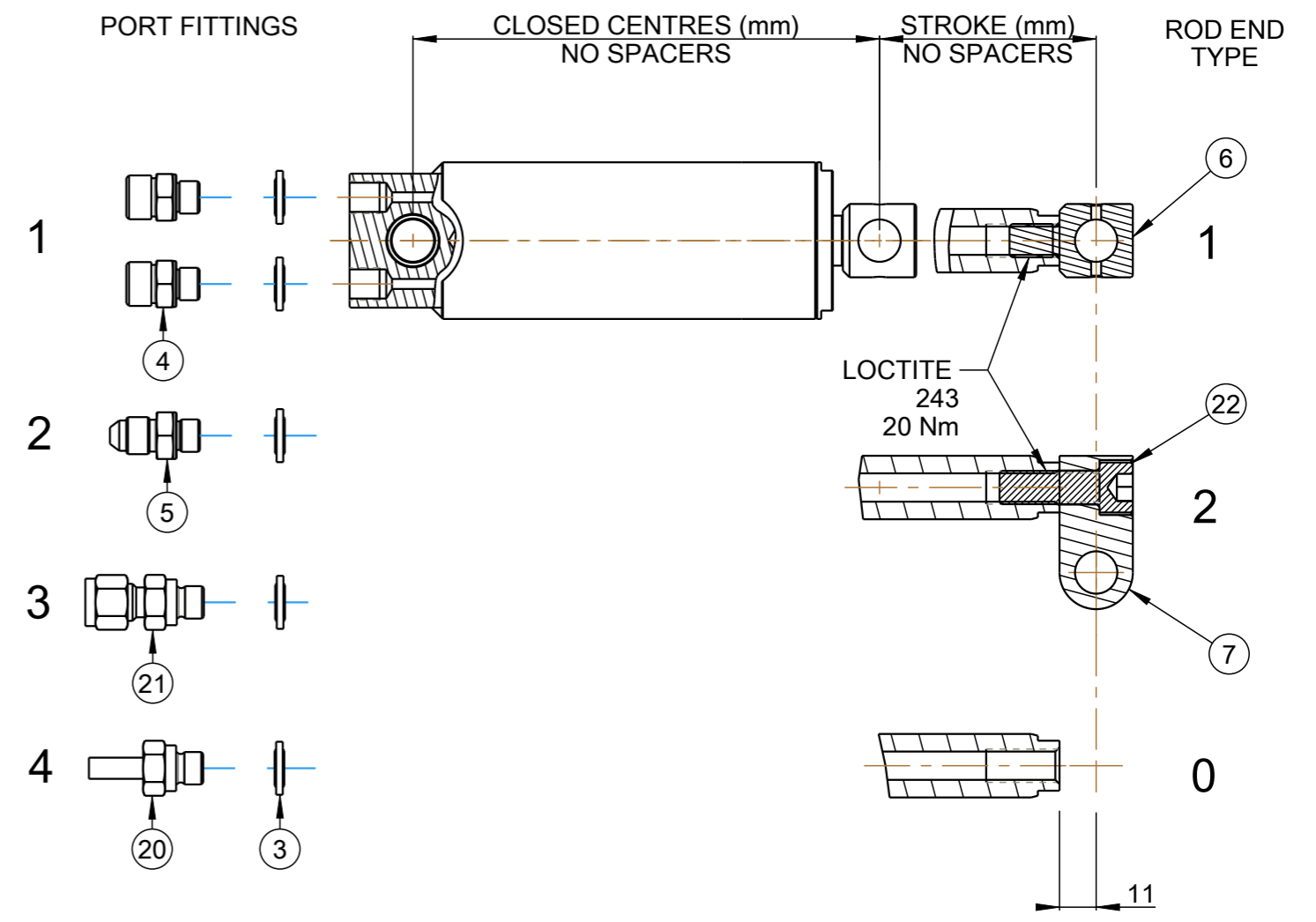
RETRACT LIMITER mm (FIT BEHIND PISTON TO REDUCE STROKE AND INCREASE CLOSED CENTRES)

- 0 NOT FITTED
- 5mm
- 10mm

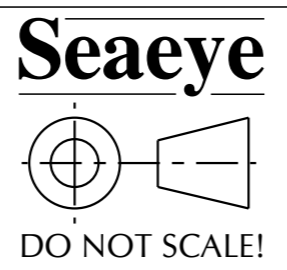


PART NUMBER EXAMPLE:

Ø 35mm BORE CYLINDER OF 65mm NOMINAL STROKE WITH 140mm NOMINAL CLOSED CENTRES  
 PISTON ROD FITTED WITH STRAIGHT ROD EYE AND 1/4" BSPP MALE ADAPTORS  
 FITTED WITH 5MM EXTEND LIMITER AND 10MM RETRACT LIMITER.  
 THEREFORE ACTUAL STROKE = 50mm AND ACTUAL CLOSED CENTRES = 150mm



ISSUE	CR REF	DRAWN BY	DATE	APPROVED
B	ECN0000784	SFR	02-Jan-20	SVY
A	ORIGINAL	SVY	15-Jul-16	DH



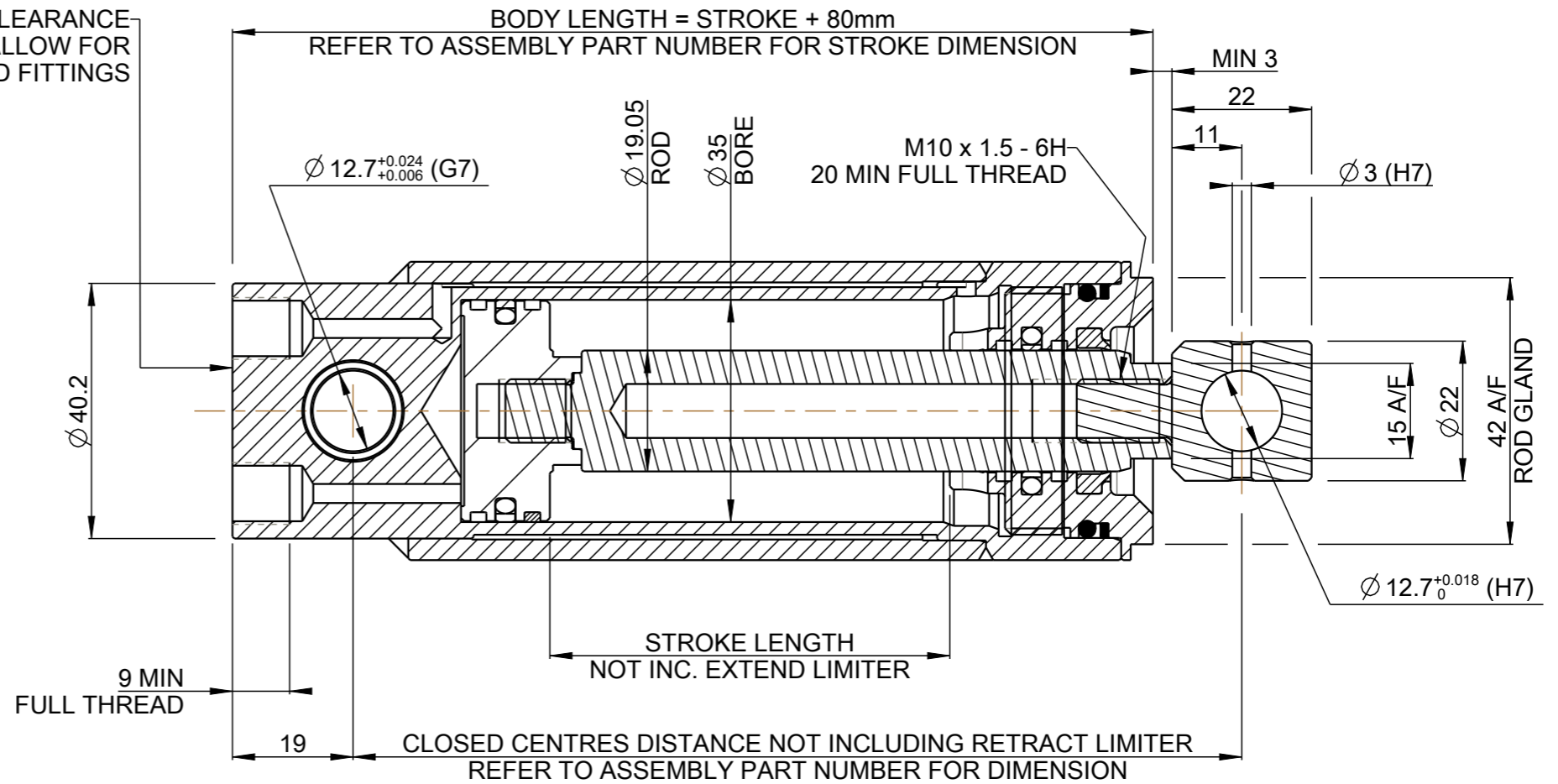
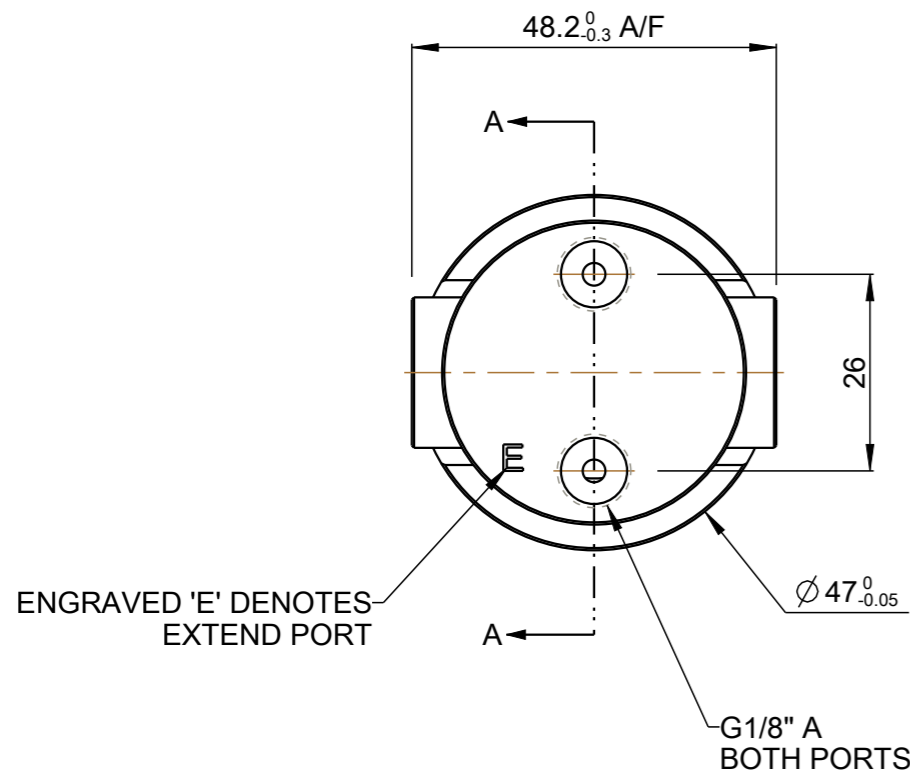
<b>GENERAL TOLERANCES</b> ALL DIMS IN MM FOR REFERENCE ONLY	<b>MATERIAL</b> N/A
<b>FINISH:</b>	N/A
<b>WEIGHT IN AIR:</b>	SEE SHEET 1

**TITLE:**  
CO2 CYLINDER  
PART NUMBER STRUCTURE

<b>CAD MODEL REF:</b>	C02-GENERIC	
<b>TOTAL NO. OF SHEETS:</b>	3	
<b>DWG NO.</b>	<b>ISSUE</b>	<b>SHEET</b>
S16325	B	1

IF IN ANY DOUBT - ASK!

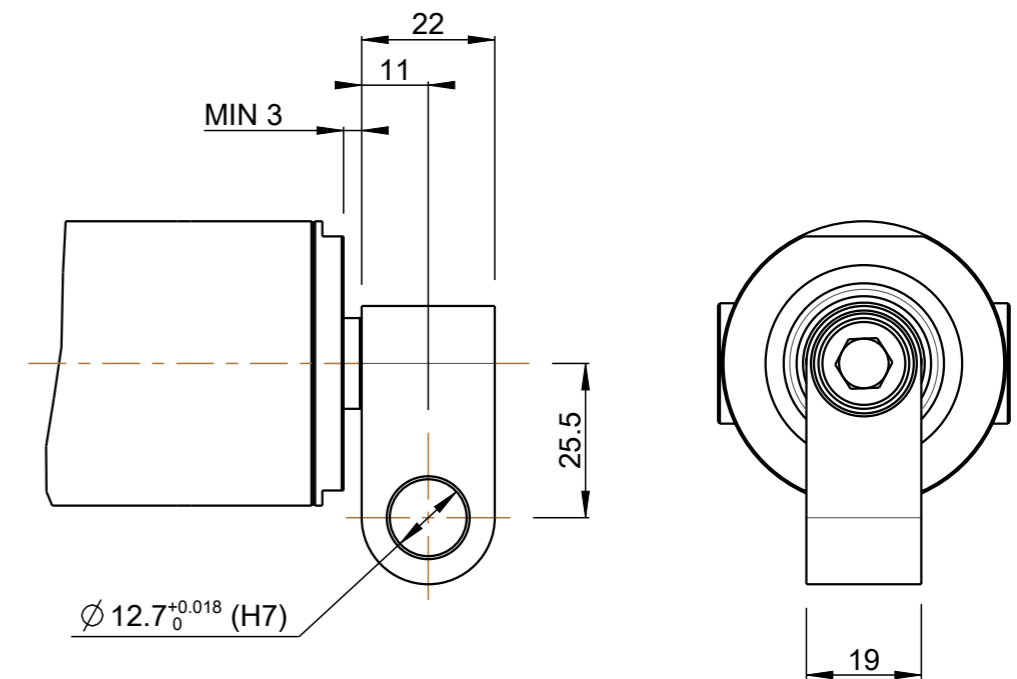
ALLOW 80mm MIN CLEARANCE FROM THIS FACE TO ALLOW FOR HOSE BEND RADIUS AND FITTINGS



NOTES:  
 MAX WORKING PRESSURE = 210 bar  
 EXTENSION FORCE AT 210 bar = 2059 kgf  
 RETRACTION FORCE AT 210 bar = 1449 kgf  
 OPERATING TEMPERATURE -30° C TO +80° C

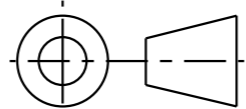
CONSTRUCTION MATERIALS:  
 DUPLEX 2205 STAINLESS STEEL BODY  
 316 STAINLESS STEEL ROD AND ROD EYES  
 BRONZE FILLED PTFE BEARINGS, COMPOSITE BRONZE PISTON/ROD SEALS  
 WITH NITRILE ENERGISER SEALS AND NITRILE SCRAPER SEAL

CAD MODELS AVAILABLE ON REQUEST  
 CUSTOM LENGTHS AND STROKES AVAILABLE ON REQUEST  
 SPECIFICATIONS AND DIMENSIONS SUBJECT TO CHANGE WITHOUT PRIOR NOTIFICATION



ISSUE	CR REF	DRAWN BY	DATE	APPROVED
B	ECN0000784	SFR	02-Jan-20	SVY
A	ORIGINAL	SVY	15-Jul-16	DH

**Seaeeye**



DO NOT SCALE!

**GENERAL TOLERANCES**  
 ALL DIMS IN MM FOR REFERENCE ONLY

**FINISH:** N/A

**WEIGHT IN AIR:** SEE SHEET 1

**MATERIAL**  
 N/A

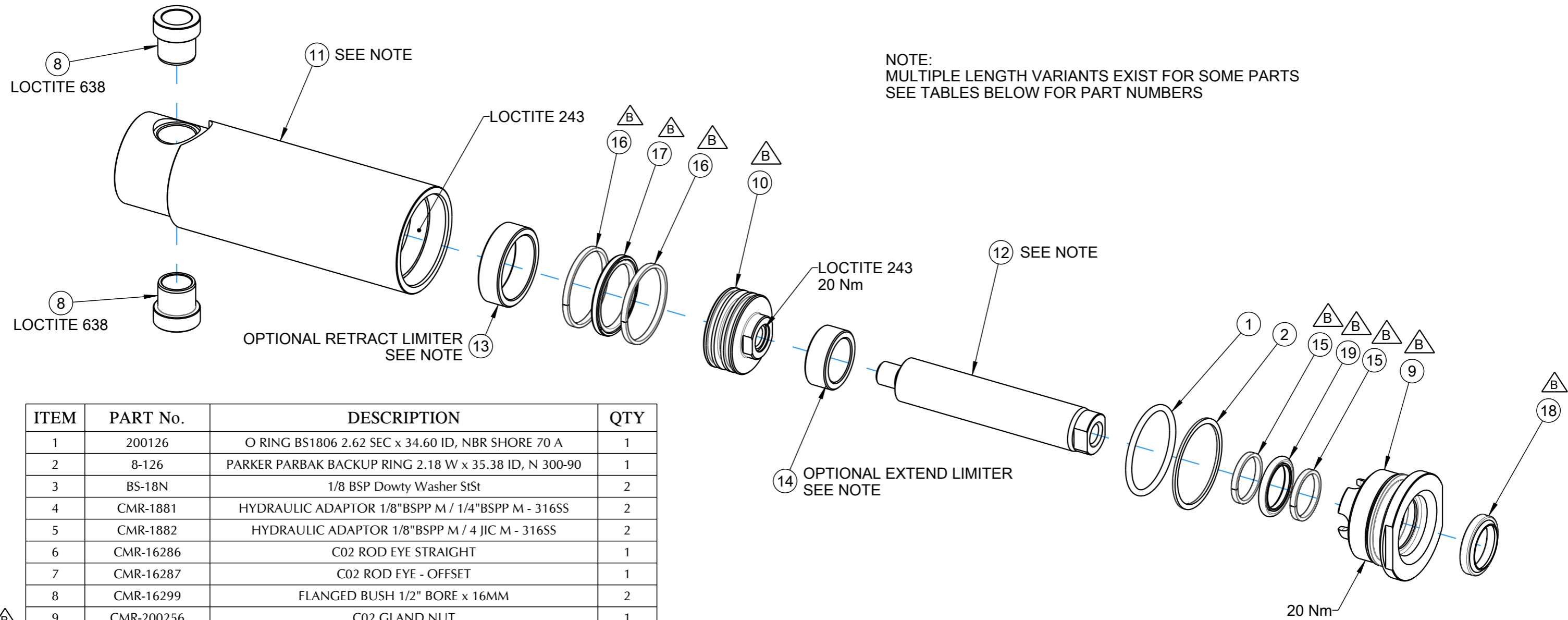
**FINISH:** N/A

**WEIGHT IN AIR:** SEE SHEET 1

**TITLE:**  
 CO2 CYLINDER OVERALL DIMENSIONS AND SPECIFICATIONS

<b>CAD MODEL REF:</b>	C02-GENERIC	
<b>TOTAL NO. OF SHEETS:</b>	3	
<b>DWG NO.</b>	<b>ISSUE</b>	<b>SHEET</b>
S16325	B	2

IF IN ANY DOUBT - ASK!



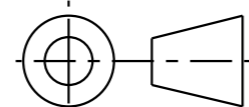
NOTE:  
MULTIPLE LENGTH VARIANTS EXIST FOR SOME PARTS  
SEE TABLES BELOW FOR PART NUMBERS

ITEM	PART No.	DESCRIPTION	QTY
1	200126	O RING BS1806 2.62 SEC x 34.60 ID, NBR SHORE 70 A	1
2	8-126	PARKER PARBAK BACKUP RING 2.18 W x 35.38 ID, N 300-90	1
3	BS-18N	1/8 BSP Dowty Washer StSt	2
4	CMR-1881	HYDRAULIC ADAPTOR 1/8"BSPP M / 1/4"BSPP M - 316SS	2
5	CMR-1882	HYDRAULIC ADAPTOR 1/8"BSPP M / 4 JIC M - 316SS	2
6	CMR-16286	C02 ROD EYE STRAIGHT	1
7	CMR-16287	C02 ROD EYE - OFFSET	1
8	CMR-16299	FLANGED BUSH 1/2" BORE x 16MM	2
<sup>B</sup> 9	CMR-200256	C02 GLAND NUT	1
<sup>B</sup> 10	CMR-200257	C02 PISTON	1
11	CMR-16264-X	C02 CYLINDER BODY FINISHED GENERIC	1
12	CMR-16277-X	C01/C02 PISTON ROD 3/4" GENERIC	1
13	CMR-16278-X	C02 CYLINDER RETRACT LIMITER SPACER - GENERIC	1
14	CMR-16284-X	C02 CYLINDER EXTEND LIMITER SPACER - GENERIC	1
<sup>B</sup> 15	CSBM0250D6327	HALLITE BEARING TAPE 19.05mm I/D	2
<sup>B</sup> 16	CSBM0250D10323	HALLITE BEARING TAPE 35mm O/D	2
<sup>B</sup> 17	P54MR00350NHLX	HALLITE DOUBLE ACTING PISTON SEAL - 35mm O/D	1
<sup>B</sup> 18	PWM075100	3/4" ROD SCRAPER SEAL	1
19	RDAER00750NHLX	HALLITE DOUBLE ACTING ROD SEAL - 0.75" I/D	1
20	SS-4-TA-1-2RS	SWAGELOK TUBE ADAPTOR - 1/8" BSPP(M) X 1/4" O/D	2
21	SS-400-1-2RS	SWAGELOK MALE CONNECTOR - 1/8" BSPP(M) X 1/4" O/D TUBE	2
<sup>B</sup> 22	STF480	M10 x 30 HEX SKT HD CAP SCREW A4-70	1

PART NUMBERS FOR STANDARD BUILD VARIANTS					WEIGHT, kg NOT INC. OIL	
CYLINDER PART No.	CMR-16264-X	CMR16277-X	CMR-16284-X	CMR-16278-X	IN AIR	IN WATER
C02-65-140-1-0-0-0	CMR-16264-65	CMR16277-140	N/A	N/A	1.41	1.23
C02-65-140-2-0-0-0	CMR-16264-65	CMR16277-140	N/A	N/A	1.48	1.30
C02-100-175-1-0-0-0	CMR-16264-100	CMR16277-175	N/A	N/A	1.66	1.45
C02-100-175-2-0-0-0	CMR-16264-100	CMR16277-175	N/A	N/A	1.74	1.52
C02-100-205-1-0-0-0	CMR-16264-100	CMR16277-205	N/A	N/A	1.72	1.51
C02-100-205-2-0-0-0	CMR-16264-100	CMR16277-205	N/A	N/A	1.79	1.57
C02-100-205-1-0-10-0	CMR-16264-100	CMR16277-205	CMR-16284-10	N/A	1.72	1.50

ISSUE	CR REF	DRAWN BY	DATE	APPROVED
B	ECN0000784	SFR	02-Jan-20	SVY
A	ORIGINAL	SVY	15-Jul-16	DH

**Seaeeye**



DO NOT SCALE!

**GENERAL TOLERANCES**  
N/A

**FINISH:**  
N/A

**WEIGHT IN AIR:**  
SEE TABLE

**MATERIAL**  
N/A

**WEIGHT IN AIR:**  
SEE TABLE

**TITLE:**  
CO2 CYLINDER  
GENERAL ARRANGEMENT

<b>CAD MODEL REF:</b>	C02-GENERIC	
<b>TOTAL NO. OF SHEETS:</b>	3	
<b>DWG NO.</b>	<b>ISSUE</b>	<b>SHEET</b>
S16325	B	3