

IF IN ANY DOUBT - ASK!

PART NUMBER STRUCTURE

CYLINDER RANGE (CO1 = 30mm BORE)

NOMINAL STROKE mm (WITHOUT LIMITER)


- 65mm
- 100mm
- 135mm

NOMINAL CLOSED CENTRES mm (WITHOUT LIMITER)

MIN CLOSED CENTRE = STROKE + 70mm

- 135mm
- 139mm
- 155mm
- 157mm
- 170mm
- 176mm
- 193mm
- 205mm
- 210mm
- 269mm
- 273mm
- 277mm
- 325mm

ROD END TYPE

- 0 NO ROD EYE (M10 FEMALE THREAD)
- 1 Ø 3/8" STRIGHT ROD EYE
- 2 Ø 3/8" OFFSET ROD EYE
- 3 Ø 3/8" CRA6 ROD EYE
- 4 Ø 5/8" ROD EYE 

PORT FITTING

- 0 NO FITTING
- 1 1/4" BSPP MALE ADAPTOR
- 2 No4 JIC MALE ADAPTOR
- 3 1/4" SWAGELOK MALE CONNECTOR
- 4 1/4" OD SWAGELOK TUBE ADAPTOR

EXTEND LIMITER mm (FIT INFRONT OF PISTON TO REDUCE STROKE LENGTH)

- 0 NOT FITTED
- 5mm
- 8mm
- 10mm
- 19mm
- 40mm

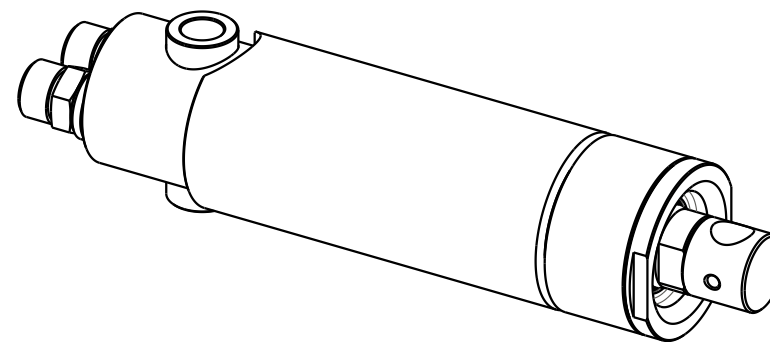
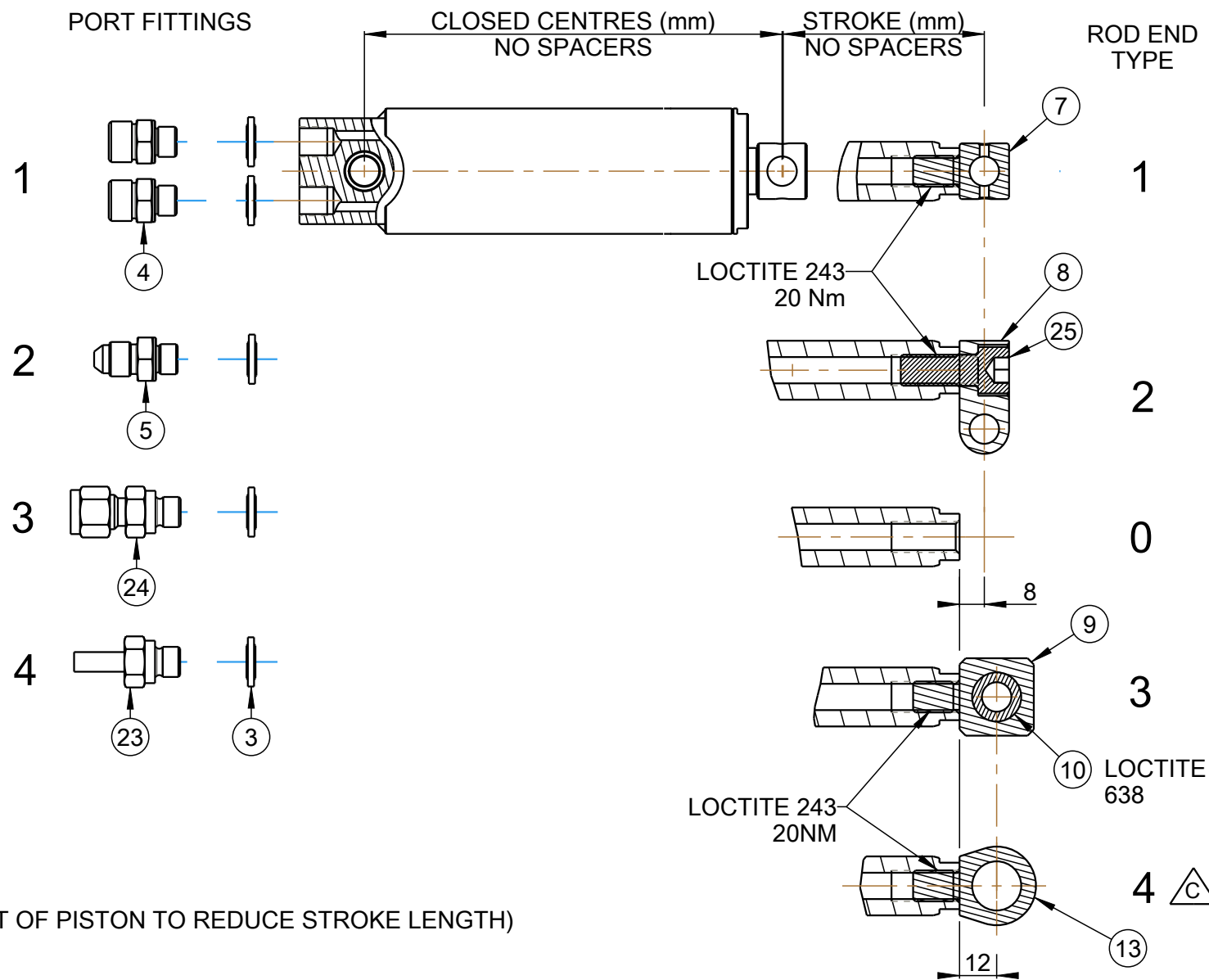
RETRACT LIMITER mm (FIT BEHIND PISTON TO REDUCE STROKE AND INCREASE CLOSED CENTRES)

- 0 NOT FITTED
- 3mm
- 5mm
- 10mm
- 23mm

C01 - 65 - 135 - 1 - 1 - 10 - 10

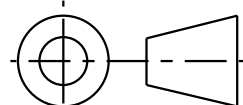
PART NUMBER EXAMPLE:

Ø 30mm BORE CYLINDER OF 65mm NOMINAL STROKE WITH 135mm NOMINAL CLOSED CENTRES
 PISTON ROD FITTED WITH STRAIGHT ROD EYE AND 1/4" BSPP MALE ADAPTORS
 FITTED WITH 10MM EXTEND LIMITER AND 10MM RETRACT LIMITER.
 THEREFORE ACTUAL STROKE = 45mm AND ACTUAL CLOSED CENTRES = 145mm



ISSUE	CR REF	DRAWN BY	DATE	APPROVED
C	ECN-0001022	SFR	20-May-20	SVY
B	ECN-0000766	SFR	02-Jan-20	SVY
A	ORIGINAL	SVY	22-Aug-16	DH

Seaeeye



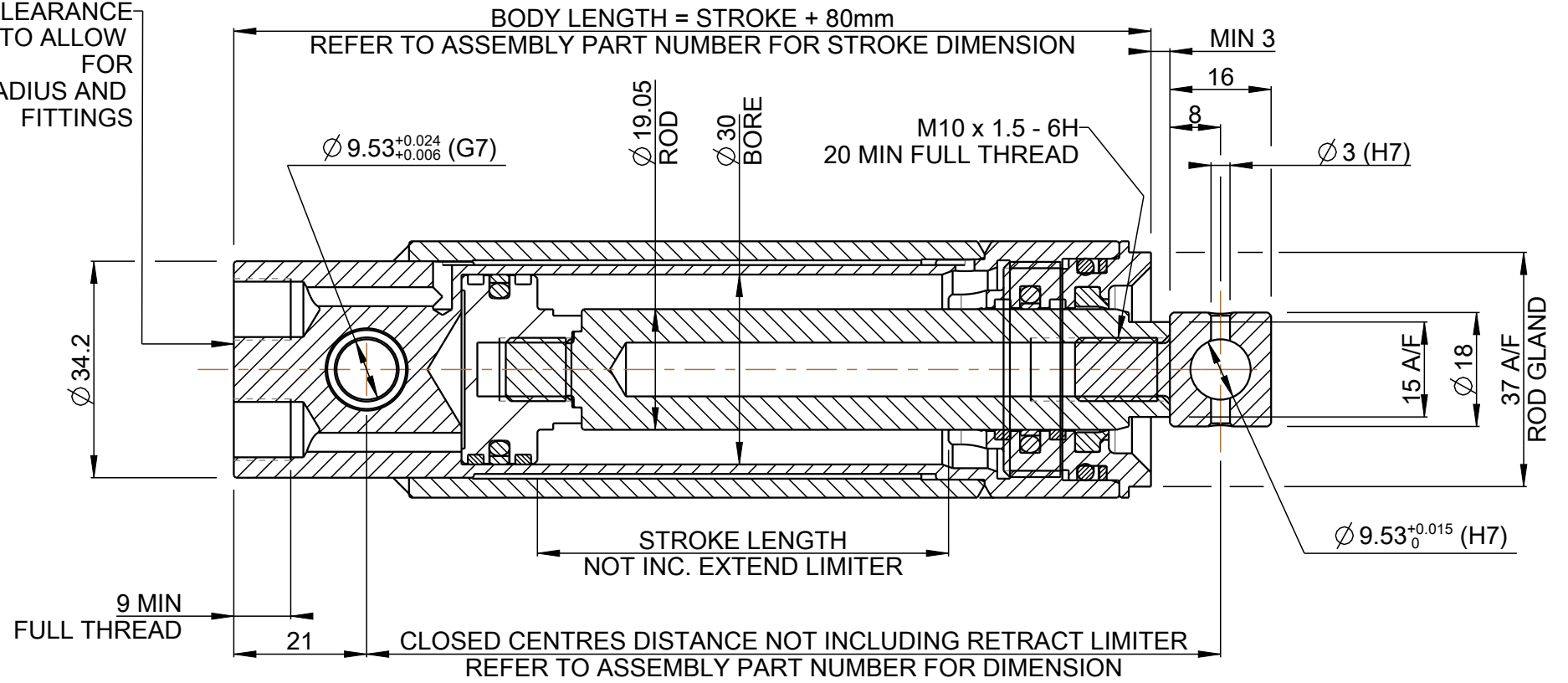
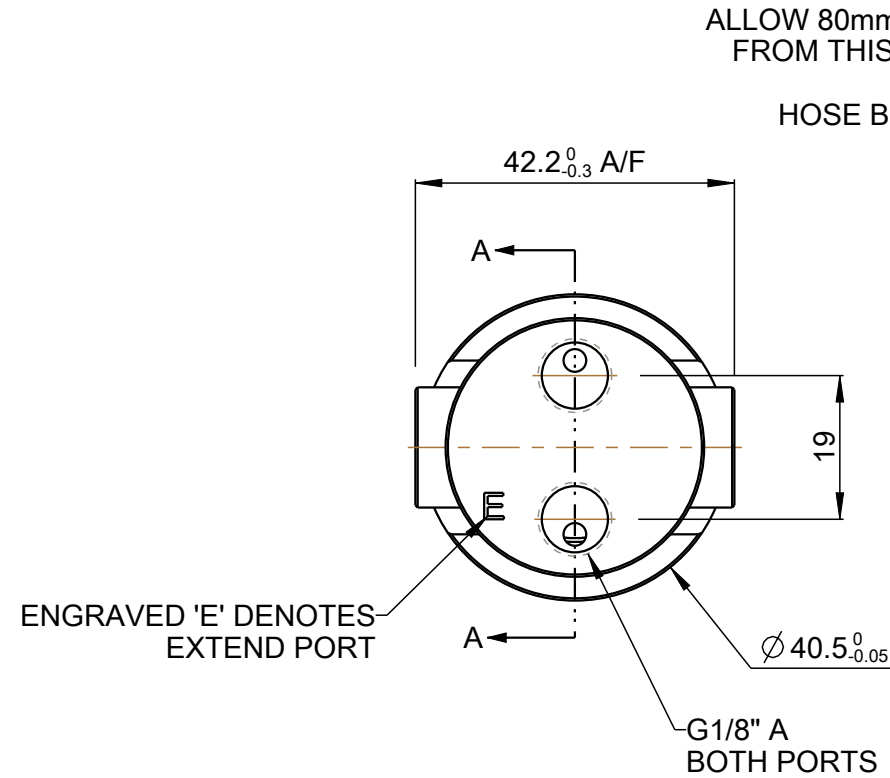
DO NOT SCALE!

GENERAL TOLERANCES ALL DIMS IN MM FOR REFERENCE ONLY	MATERIAL N/A
FINISH:	N/A
WEIGHT IN AIR:	SEE SHEET 1

TITLE:
CO1 CYLINDER
PART NUMBER STRUCTURE

CAD MODEL REF:	C01-GENERIC	
TOTAL NO. OF SHEETS:	3	
DWG NO.	ISSUE	SHEET
S16327	C	1

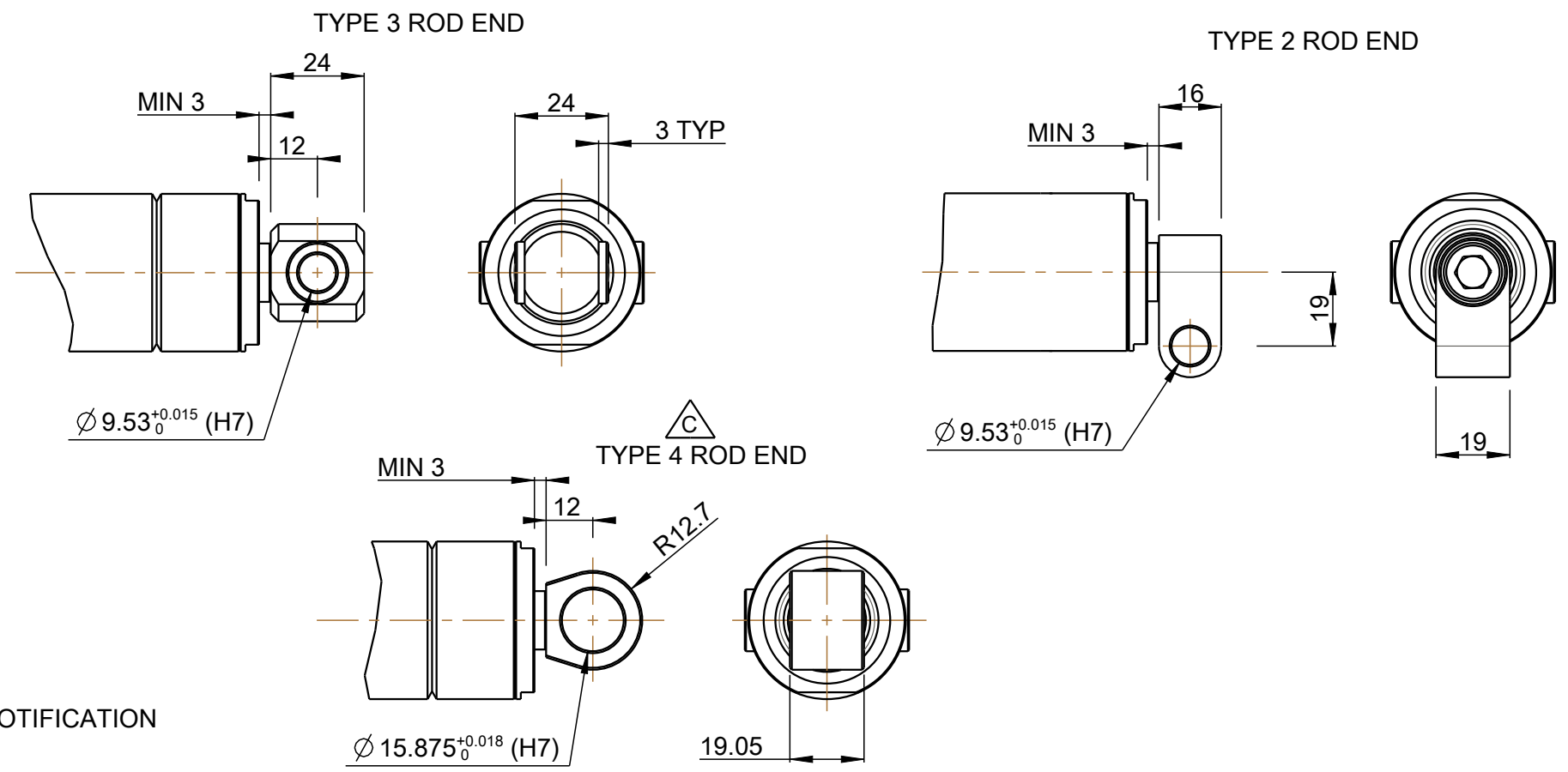
IF IN ANY DOUBT - ASK!



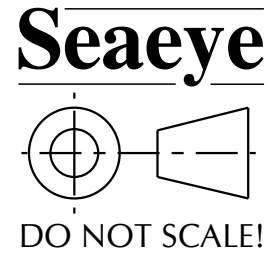
NOTES:
 MAX WORKING PRESSURE = 210 bar
 EXTENSION FORCE AT 210 bar = 1513 kgf
 RETRACTION FORCE AT 210 bar = 903 kgf
 OPERATING TEMPERATURE -30°C TO +80°C

CONSTRUCTION MATERIALS:
 DUPLEX 2205 STAINLESS STEEL BODY
 316 STAINLESS STEEL ROD AND ROD EYES
 BRONZE FILLED PTFE BEARINGS, COMPOSITE BRONZE SLIDE RINGS
 WITH NITRILE ENERGISER SEALS AND NITRILE SCRAPER SEAL

CAD MODELS AVAILABLE ON REQUEST
 CUSTOM LENGTHS AND STROKES AVAILABLE ON REQUEST
 SPECIFICATIONS AND DIMENSIONS SUBJECT TO CHANGE WITHOUT PRIOR NOTIFICATION



ISSUE	CR REF	DRAWN BY	DATE	APPROVED
C	ECN-0001022	SFR	20-May-20	SVY
B	ECN-0000766	SFR	02-Jan-20	SVY
A	ORIGINAL	SVY	22-Aug-16	DH

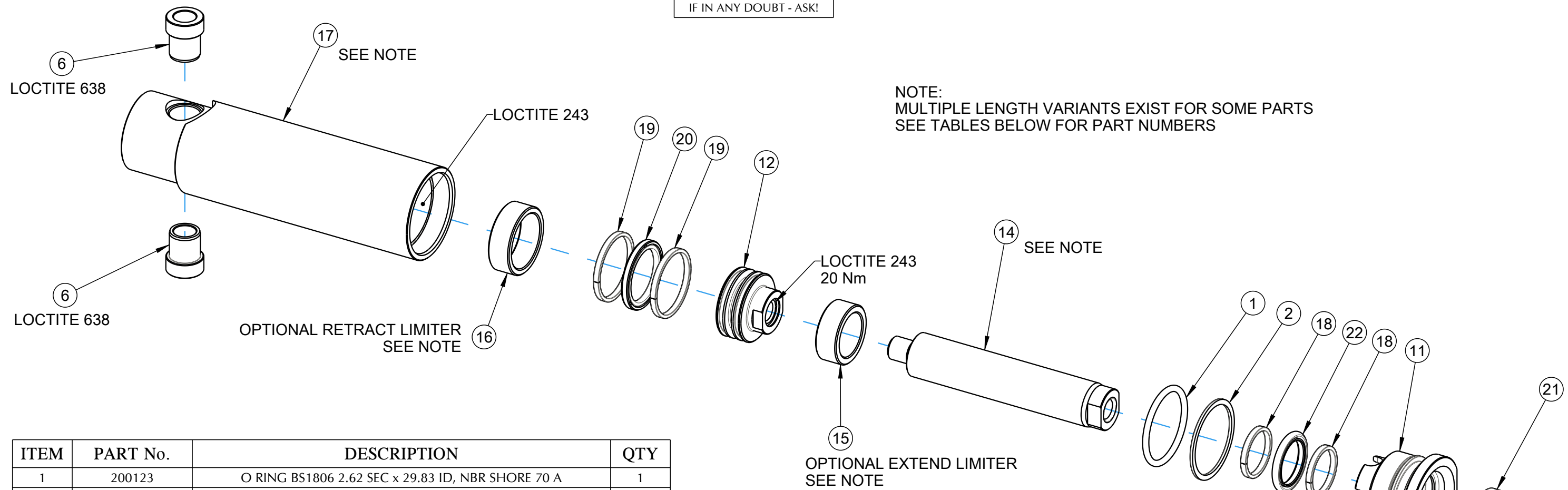


GENERAL TOLERANCES ALL DIMS IN MM FOR REFERENCE ONLY	MATERIAL N/A
FINISH:	N/A
WEIGHT IN AIR:	SEE SHEET 1

TITLE:
 CO1 CYLINDER
 OVERALL DIMENSIONS
 AND SPECIFICATIONS

CAD MODEL REF:	C01-GENERIC	
TOTAL NO. OF SHEETS:	3	
DWG NO.	ISSUE	SHEET
S16327	C	2

IF IN ANY DOUBT - ASK!



ITEM	PART No.	DESCRIPTION	QTY
1	200123	O RING BS1806 2.62 SEC x 29.83 ID, NBR SHORE 70 A	1
2	8-123	PARKER PARBAK BACKUP RING 2.18 W x 30.63 ID, N 300-90	1
3	BS-18N	1/8 BSP Dowty Washer StSt	2
4	CMR-1881	HYDRAULIC ADAPTOR 1/8"BSPP M / 1/4"BSPP M - 316SS	2
5	CMR-1882	HYDRAULIC ADAPTOR 1/8"BSPP M / 4 JIC M - 316SS	2
6	CMR-16329	FLANGED BUSH 3/8" BORE x 13MM	2
7	CMR-16332	C01 ROD EYE STRAIGHT	1
8	CMR-16333	C01 ROD EYE - OFFSET	1
9	CMR-16375	C01 ROD END - CRA6 MID LIMB	1
10	CMR-16376	C01 ROD END INSERT - CRA6 MID LIMB	1
11	CMR-200254	C01 GLAND NUT	1
12	CMR-200255	C01 PISTON	1
13	CMR-200277	ROD EYE - 5/8" I/D	1
14	CMR-16277-X	C01/C02 PISTON ROD 3/4" GENERIC	1
15	CMR-16284-X	C02 CYLINDER EXTEND LIMITER SPACER - GENERIC	1
16	CMR-16334-X	C01 CYLINDER RETRACT LIMITER SPACER - GENERIC	1
17	CMR-16336-X	C01 CYLINDER BODY FINISHED GENERIC	1
18	CSBM0250D6327	HALLITE BEARING TAPE 19.05mm I/D	2
19	CSBM0250D8768	HALLITE BEARING TAPE 30mm O/D	2
20	P54MR00300NHLX	HALLITE P54 DOUBLE-ACTING PISTON SEAL - 30mm O/D	1
21	PWM075100	3/4" ROD SCRAPER SEAL	1
22	RDAER00750NHLX	HALLITE DOUBLE ACTING ROD SEAL - 0.75" I/D	1
23	SS-4-TA-1-2RS	SWAGELOK TUBE ADAPTOR - 1/8" BSPP(M) X 1/4" O/D	2
24	SS-400-1-2RS	SWAGELOK MALE CONNECTOR - 1/8" BSPP(M) X 1/4" O/D TUBE	2
25	STF283	M10 x 25 HEX SKT HD CAP SCREW A4-70	1

CYLINDER PART No.	PART NUMBERS FOR STANDARD BUILD VARIANTS				WEIGHT, kg NOT INC. OIL	
	CMR-16277-X	CMR-16284-X	CMR-16334-X	CMR-16336-X	IN AIR	IN WATER
C01-65-135-1-0-0-0	CMR-16277-93	N/A	N/A	CMR-16336-65	1.07	0.94
C01-65-135-2-0-0-0	CMR-16277-93	N/A	N/A	CMR-16336-65	1.11	0.97
C01-65-139-1-0-0-0	CMR-16277-97	N/A	N/A	CMR-16336-65	1.08	0.94
C01-65-155-1-0-0-0	CMR-16277-113	N/A	N/A	CMR-16336-65	1.11	0.97
C01-65-155-1-0-8-0	CMR-16277-113	CMR-16284-8	N/A	CMR-16336-65	1.11	0.97
C01-65-157-1-0-0-0	CMR-16277-115	N/A	N/A	CMR-16336-65	1.11	0.97
C01-65-193-1-0-0-0	CMR-16277-151	N/A	N/A	CMR-16336-65	1.18	1.03
C01-65-210-1-0-5-3	CMR-16277-168	CMR-16284-5	CMR-16334-3	CMR-16336-65	1.19	1.04
C01-100-170-1-0-0-0	CMR-16277-128	N/A	N/A	CMR-16336-100	1.27	1.11
C01-100-170-2-0-0-0	CMR-16277-128	N/A	N/A	CMR-16336-100	1.32	1.15
C01-100-176-1-0-0-0	CMR-16277-134	N/A	N/A	CMR-16336-100	1.28	1.12
C01-100-176-1-0-19-0	CMR-16277-134	CMR-16284-19	N/A	CMR-16336-100	1.30	1.13
C01-100-205-1-0-0-0	CMR-16277-163	N/A	N/A	CMR-16336-100	1.34	1.17
C01-100-205-1-0-40-0	CMR-16277-163	CMR-16284-40	N/A	CMR-16336-100	1.36	1.19
C01-100-205-2-0-0-0	CMR-16277-163	N/A	N/A	CMR-16336-100	1.38	1.21
C01-100-210-1-0-0-0	CMR-16277-168	N/A	N/A	CMR-16336-100	1.35	1.18
C01-135-205-1-0-0-0	CMR-16277-163	N/A	N/A	CMR-16336-135	1.48	1.29
C01-135-205-2-0-0-0	CMR-16277-163	N/A	N/A	CMR-16336-135	1.52	1.33
C01-135-210-1-0-10-0	CMR-16277-168	CMR-16284-10	N/A	CMR-16336-135	1.49	1.31
C01-135-269-1-0-0-0	CMR-16277-227	N/A	N/A	CMR-16336-135	1.57	1.38
C01-135-273-1-0-0-0	CMR-16277-231	N/A	N/A	CMR-16336-135	1.60	1.40
C01-135-277-3-0-0-0	CMR-16277-231	N/A	N/A	CMR-16336-135	1.66	1.45
C01-135-277-4-0-0-0	CMR-16277-231	N/A	N/A	CMR-16336-135	1.66	1.45
C01-135-325-1-0-0-0	CMR-16277-283	N/A	N/A	CMR-16336-135	1.70	1.49
C01-135-325-1-0-5-23	CMR-16277-283	CMR-16284-5	CMR-16334-23	CMR-16336-135	1.70	1.49

△

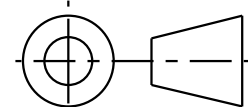
△

△

△

ISSUE	CR REF	DRAWN BY	DATE	APPROVED
C	ECN-0001022	SFR	20-May-20	SVY
B	ECN-0000766	SFR	02-Jan-20	SVY
A	ORIGINAL	SVY	22-Aug-16	DH

Seaeeye



DO NOT SCALE!

GENERAL TOLERANCES

N/A

MATERIAL

N/A

FINISH:

N/A

WEIGHT IN AIR:

SEE TABLE

TITLE:

CO1 CYLINDER
GENERAL ARRANGEMENT

CAD MODEL REF: C01-GENERIC

TOTAL NO. OF SHEETS: 3

DWG NO. ISSUE SHEET

S16327 C 3