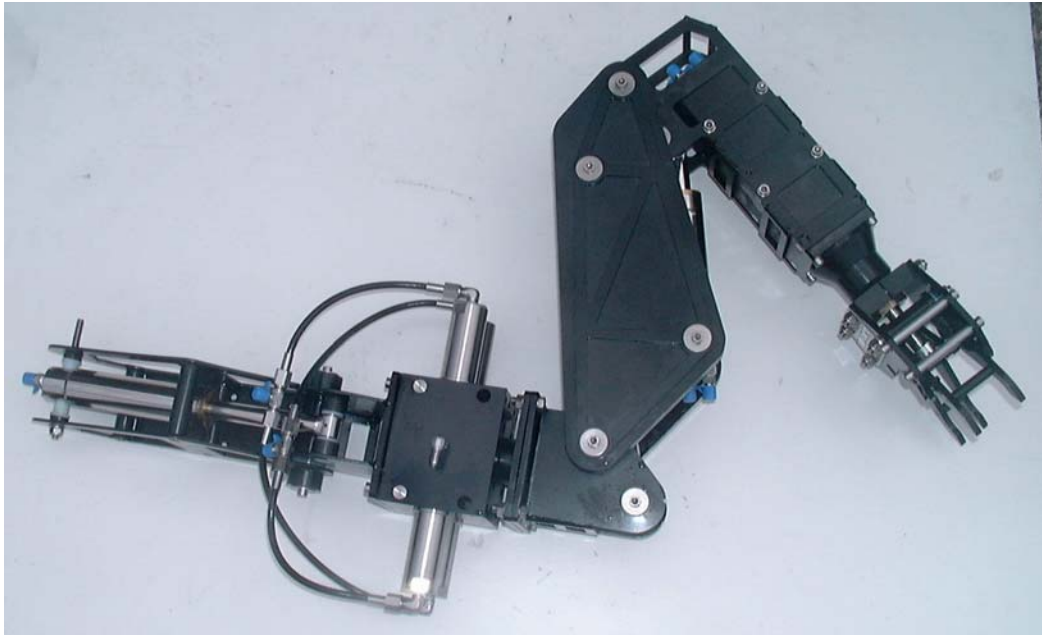




# HYDRO-LEK

## REMOTE HANDLING SPECIALISTS

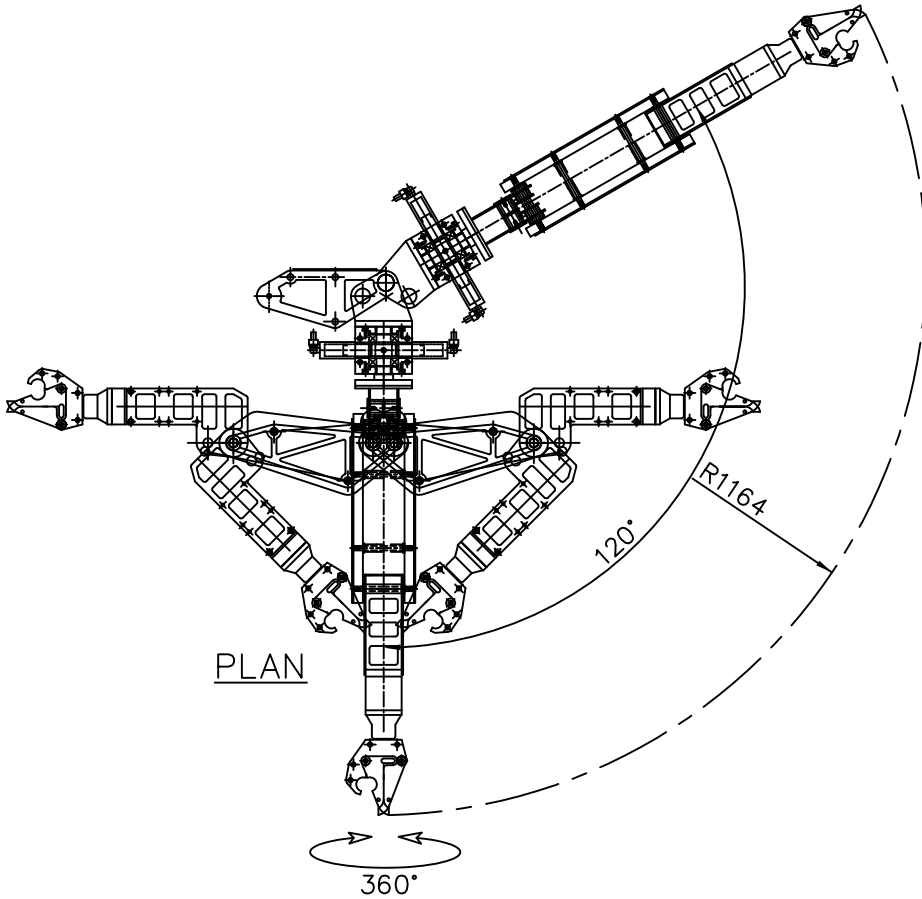


### HLK-HD6R Manipulator:

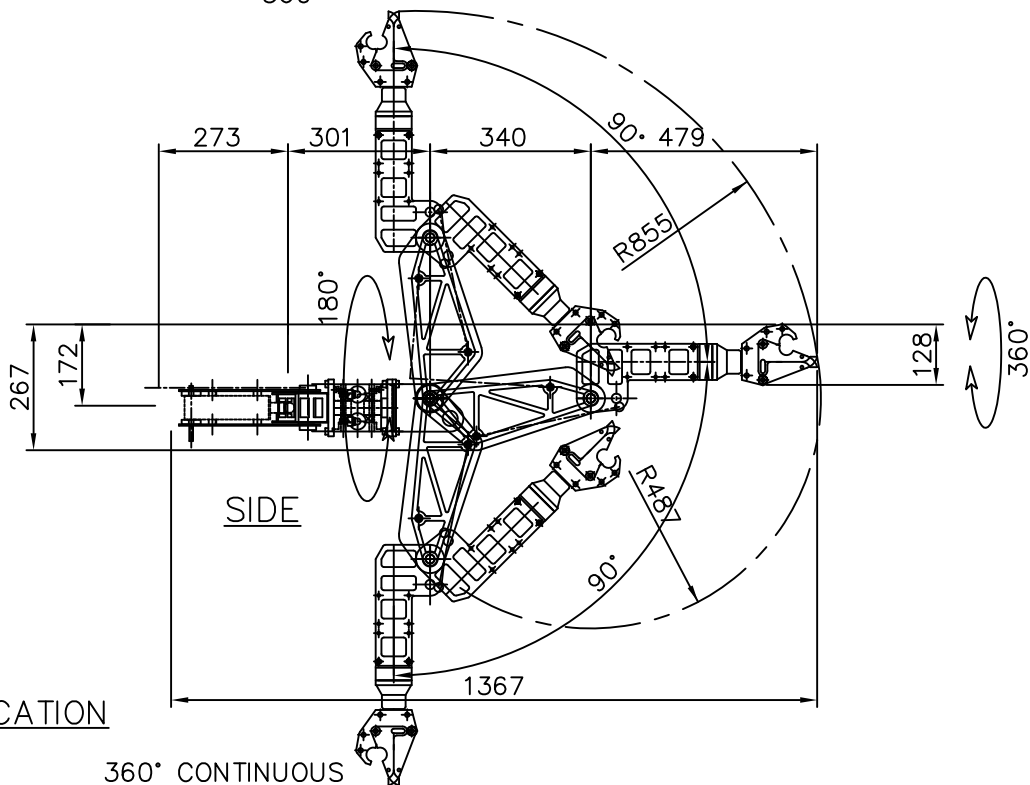
The HLK-HD6R Manipulator arm is based on the HD5, but with an HLK-2260 Rotary Actuator fitted at the shoulder joint, which is mountable in 4 separate positions to allow port & starboard mounting as well as offering additional up or down functions. It allows additional reach to gain access in holes or pipe ends.

#### Specification:

|                   |  |                 |
|-------------------|--|-----------------|
| <b>Dimensions</b> | Length of arm (from slew pivot point)  | 1120 mm         |
|                   | Length of slew plate                   | 280 mm          |
|                   | Height                                 | 530 mm          |
|                   | Width                                  | 145 mm          |
| <b>Capacities</b> | Rotate                                 | 360° continuous |
|                   | Torque at 140 bar                      | 38Nm            |
|                   | Lift capacity at full reach at 140 bar | 30Kg            |
|                   | Max working pressure                   | 210 Bar         |
| <b>Weight</b>     | Weight in air                          | 29 Kg           |
|                   | Weight in water                        | 21 Kg           |
|                   | <b>Construction</b>                    | 316 SS          |
| <b>Ports</b>      | HE 30 Hard anodised aluminium          |                 |
|                   | High density polyethylene              |                 |
|                   | 1/8 NPT / 7/16 SAE                     |                 |



PLAN



SIDE

SPECIFICATION

|                     |                               |
|---------------------|-------------------------------|
| ROTATE              | 360° CONTINUOUS               |
| TORQUE AT 140 BAR   | 38 Nm                         |
| LIFT AT 140 BAR     | 40 KG                         |
| MAX. WORKING PRESS. | 210 BAR                       |
| WEIGHT IN AIR       | 29.0 KG                       |
| WEIGHT IN WATER     | 21.0 KG                       |
| MATERIALS: -        | HE 30 HARD ANODISED ALUMINIUM |
|                     | 316 ST. STEEL                 |
|                     | H. D. POLYETHYLENE            |
| PORTS               | 1/8" NPT / 7/16" SAE.         |

|                         |            |                          |
|-------------------------|------------|--------------------------|
| HYDRO-LEK LTD.          |            | HLK-HD6R MANIPULATOR     |
| ISS. DATE: -            |            | MAT: -                   |
| CHKD BY: -              | REV. NO: - | DRG. NO: - CMR 5680/DATA |
| DRAWN BY: - JW 10/01/01 |            | C.M. INNOVATIONS LTD.    |