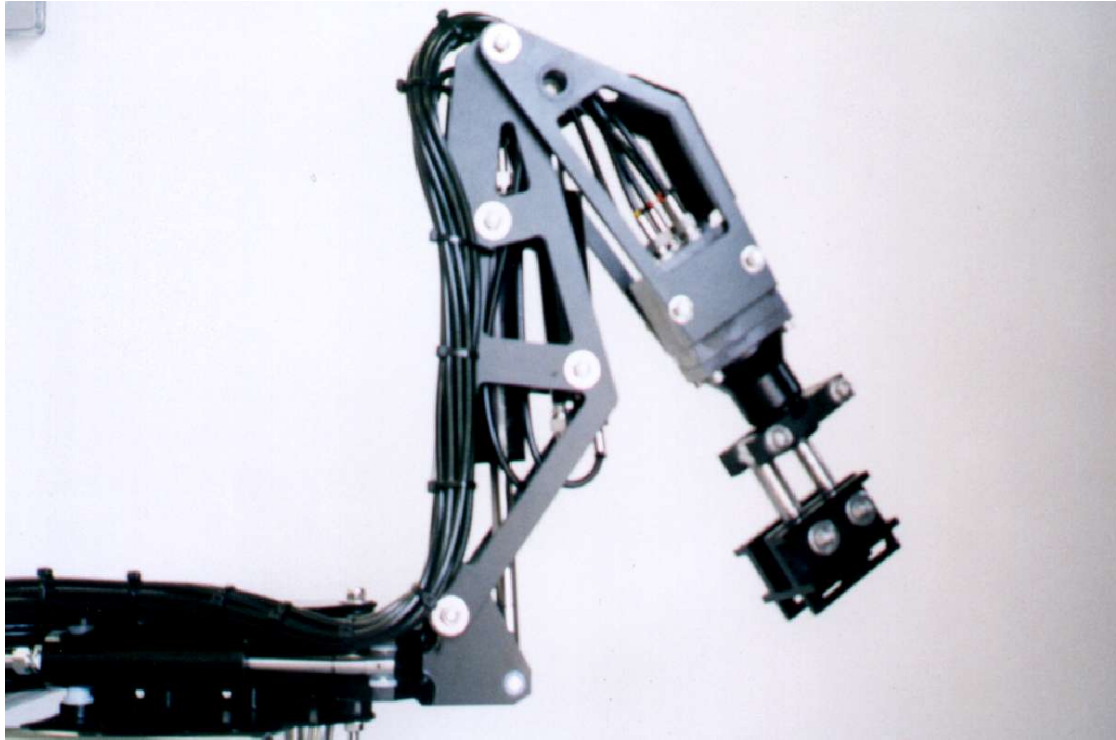




HYDRO-LEK

REMOTE HANDLING SPECIALISTS

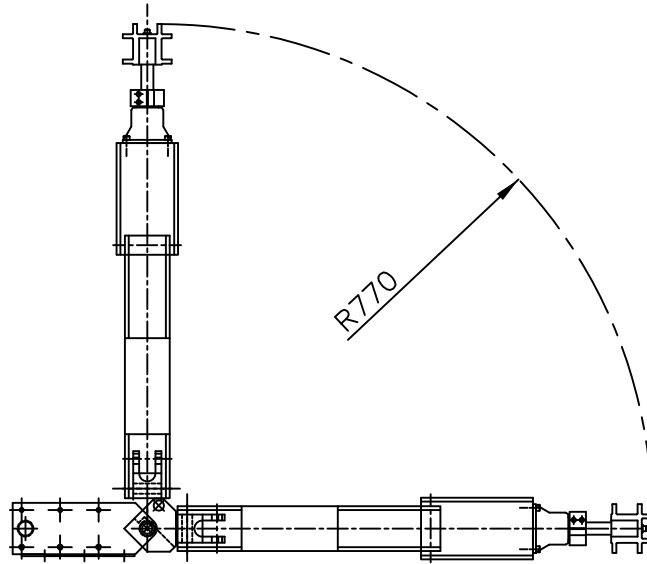


HLK-EH5C Camera Boom:

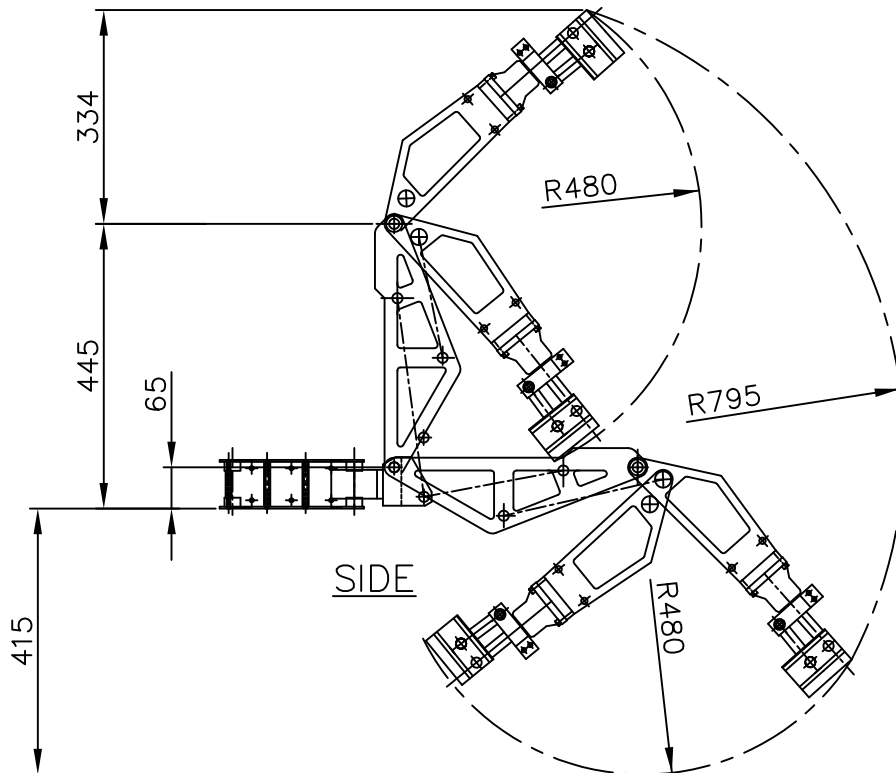
The HLK-EH5C Camera Boom is a standard HLK-EH5 with the jaw section converted to a Pan & Tilt using an HLK-2010C conversion kit. Any vehicle fitted with two EH5 arms can easily convert to the booms with no need to change any hydraulic hoses or electrical controls. The dexterity of the arm offers an excellent camera platform.

Specification:

Dimensions	Length of arm	795mm
	Length of slew plate	210mm
	Height	96mm
	Width	460mm
Camera Platform	Pan	180°
	Tilt	60°
Weight	Weight in air	10Kg
	Weight in water	7.5Kg
Construction	316 SS	
	HE 30 Hard anodised aluminium	
	All epoxy hard coated	



PLAN



SIDE

SPECIFICATION

CAMERA PAN	180°
CAMERA TILT	60°
WEIGHT IN AIR	10 KG
WEIGHT IN WATER	7.5 KG
MATERIALS: -	HE 30 HARD ANODISED ALUMINIUM 316 ST. STEEL

HYDRO-LEK LTD.	HLK-EH5C MANIPULATOR
ISS. DATE: -	MAT: -
CHKD BY: - REV. NO: -	DRG. NO: - CMR 4000-5CDATA
DRAWN BY: - JW 24/8/99	C.M. INNOVATIONS LTD.