



# HYDRO-LEK

## REMOTE HANDLING SPECIALISTS



### HLK-70150 5-Way Valve Pack:

This compact, lightweight eight valve pack is manufactured from polyethylene terephthalate (PET). This has very low water absorption properties and can withstand 100BAR hydraulic pressures. The valve pack incorporates 5 standard bi-directional cartridge valves fitted with Hydro-Lek's solenoid coils.

#### Specification:

Dimensions Housing	length	207mm
Housing	width	200mm
Housing	height	50mm
Weight	Weight in air	4.8Kg
Weight	in water	2.8Kg
Functions	5 x Bi-directional solenoid valves	
Voltage	Standard 48V DC (24V DC option)	
Electrical Connector	16 pin Micro Series Subconn Male	
Hydraulics	Max working pressure	100BAR
Porting	1/8" NPT	
Construction		Polyester (PET)

**SPECIFICATIONS :**

**DIMENSIONS :**  
 HOUSING LENGTH 207mm  
 HOUSING WIDTH 200mm  
 HOUSING HEIGHT 50mm

**WEIGHT :**  
 WEIGHT IN AIR 4.8 Kg  
 WEIGHT IN WATER 2.8 Kg

**FUNCTIONS :** 5 X BI-DIRECTIONAL SOLENOID VALVES

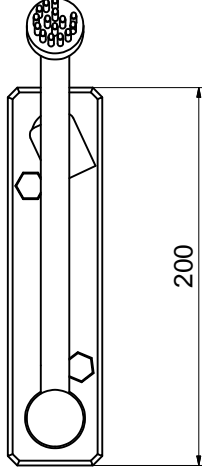
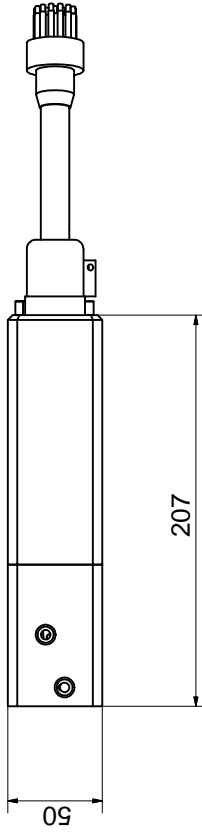
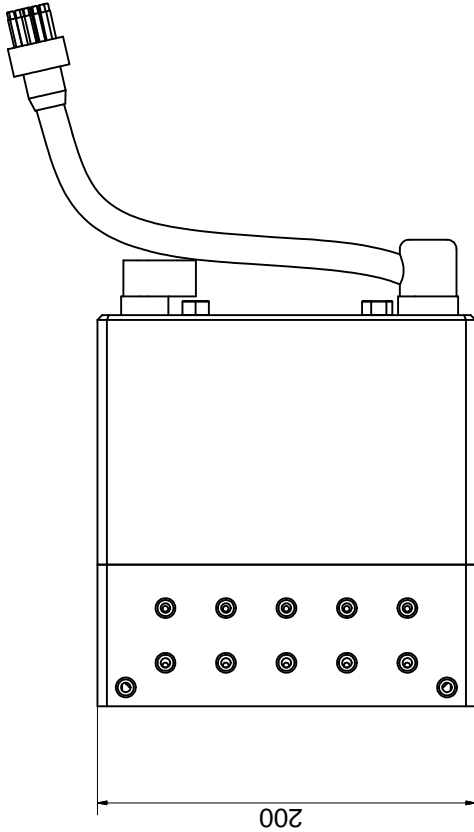
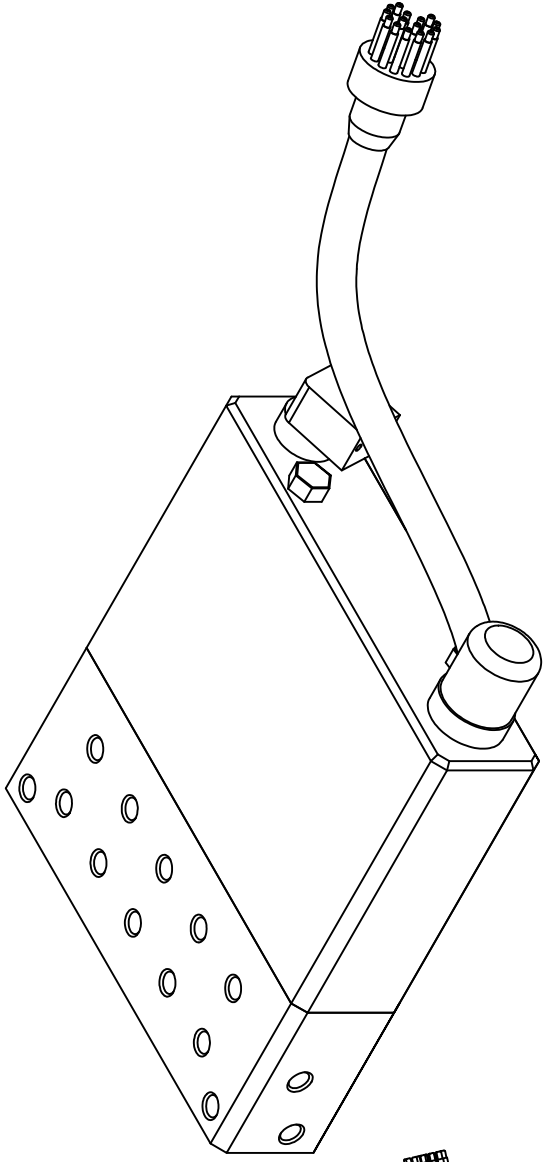
**CONNECTORS :**  
 1 x 16 WAY MICRO SERIES SUBCONN CONNECTOR  
 1 x LO-PROFILE 4-WAY FEMALE CONNECTOR (OPTIONAL)

**VOLTAGE :** STANDARD 48V DC (24V DC option)

**HYDRAULICS :** MAX WORKING PRESSURE 100 BAR

**PORTING :** 1/8" NPT

**CONSTRUCTION :** POLYESTER (PET)



Designed by	Checked by	Approved by - date	Date
GPL			02/04/2004
HydroLek Limited, Unit 4, Weiler Drive Hoopwood Lane Industrial Estate Fineshamstead, Berks. RG40 4QZ Tel: 0118 9736903 Fax: 0118 9736915			Edition
Valve Pack(Data)			0
HLK 70150-M			1 / 1