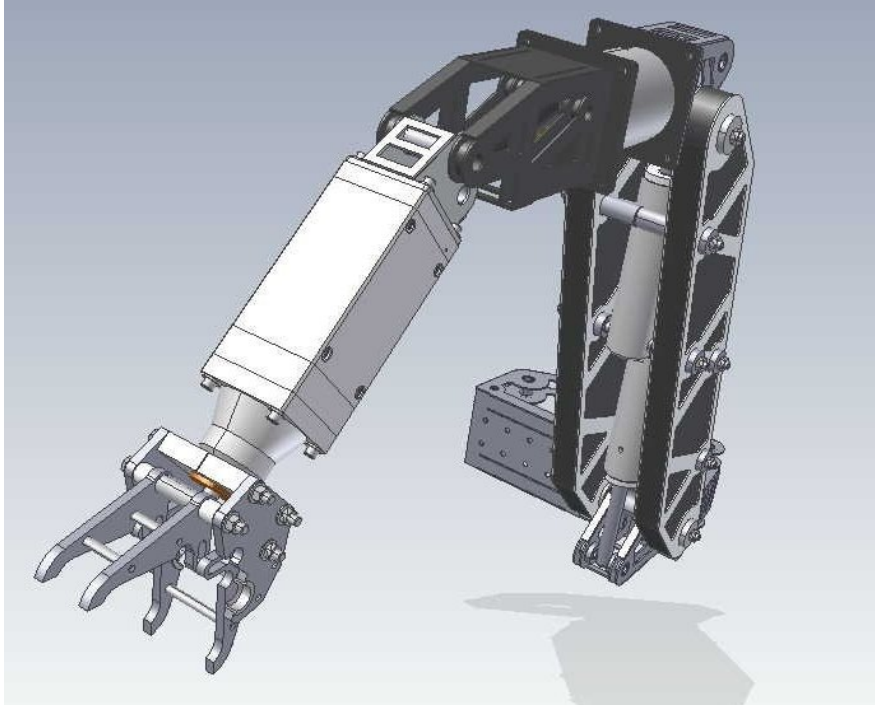




HYDRO-LEK

REMOTE HANDLING SPECIALISTS

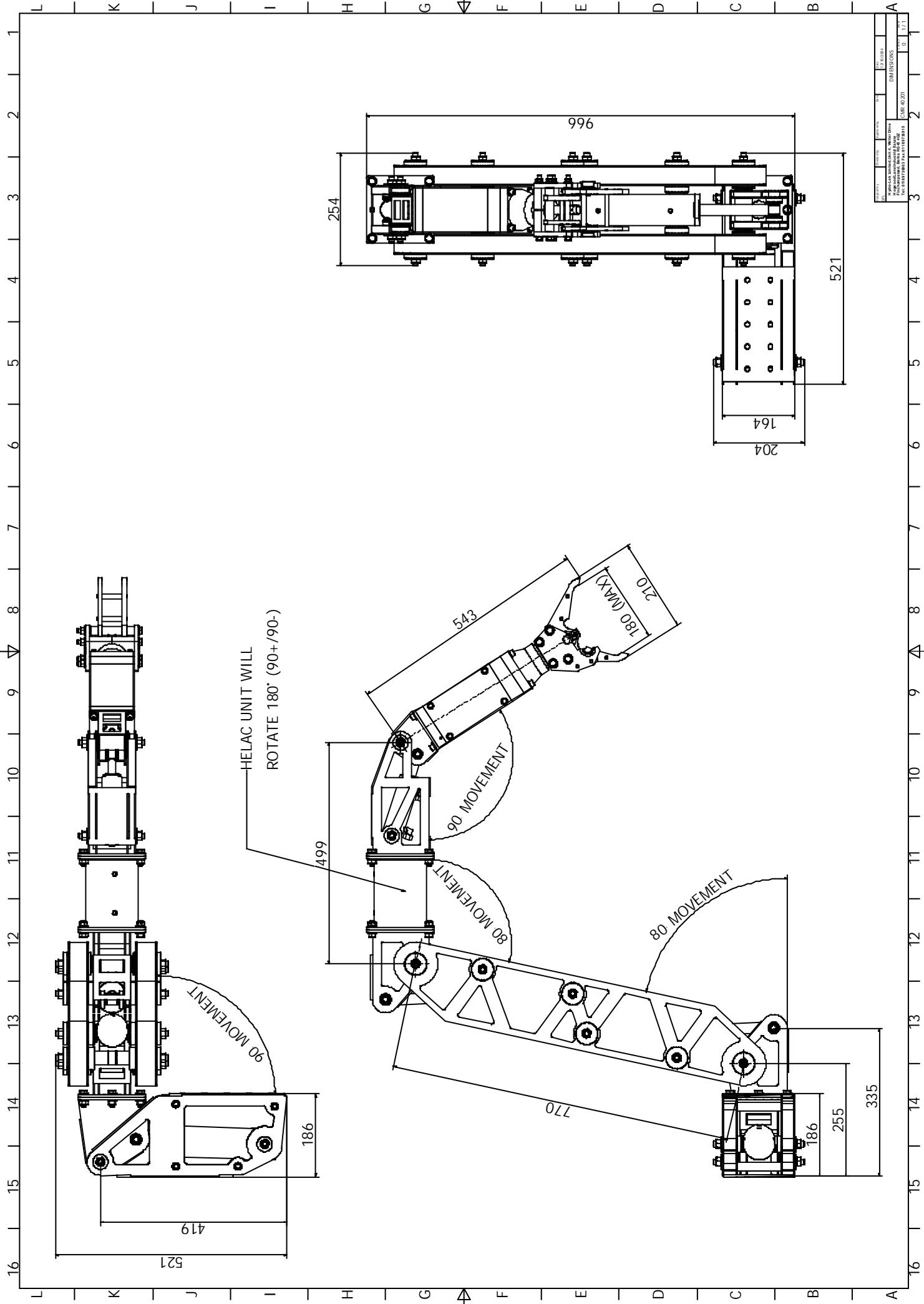


HLK-40200 Manipulator:

The HLK-40200 Manipulator Arm is a general purpose, medium duty, seven function manipulator arm. It is operated from a rate control valve pack with an optional proportional flow input. This allows multi-function movement with fine control of speed. It can be used on its own as a pick or position grab or in conjunction with other arms. It can deploy special tools, i.e. drills, cutters or lifting devices in remote areas. Constructed from Polypropylene, 316 Stainless Steel and Aluminium, it is a cost-effective solution to many remote handling tasks.

Specification:

| | | |
|---------------------|--|-----------------|
| Dimensions | Length of arm | 1800mm |
| | Length of slew plate | 520mm |
| | Height (Stowed) | 988mm |
| | Width | 254mm |
| Capacities | Rotate | 360° continuous |
| | Torque at 140 bar (across ports) | 100Nm |
| | Lift capacity at full reach at 160 bar | 70Kg |
| | Max working pressure | 210 bar |
| Weight | Weight in air | 80Kg |
| | Weight in water | 60Kg |
| Construction | 316 SS Epoxy hard coated | |
| | HE 30 Hard anodised aluminium | |
| | High Density Polyethelene | |
| Ports | 1/8NPT / 7/16 S.A.E | |



| | | | | | |
|-----|------|----|-----|-----|--------------------|
| REV | DATE | BY | CHK | APP | DESCRIPTION |
| 0 | | | | | INITIAL DIMENSIONS |
| 1 | | | | | FOR 40/201 |