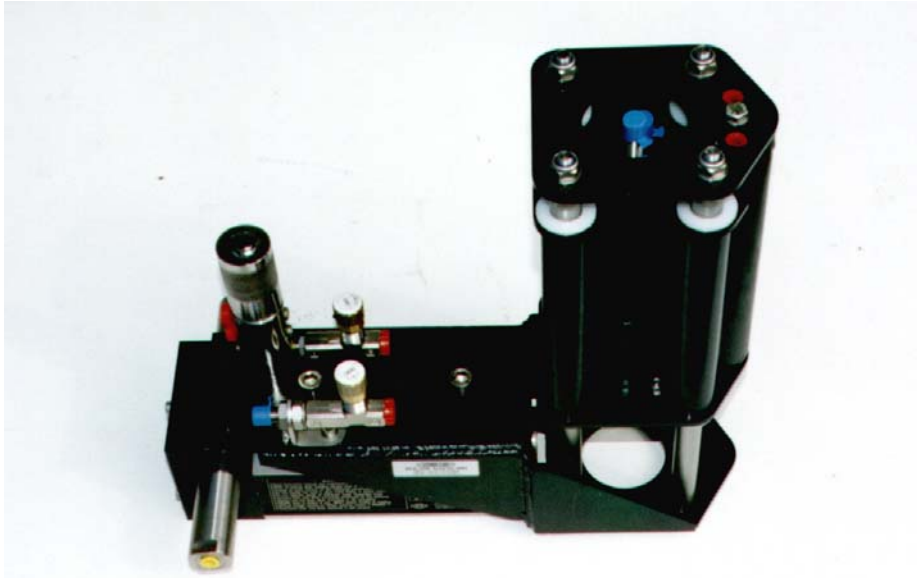




HYDRO-LEK

REMOTE HANDLING SPECIALISTS

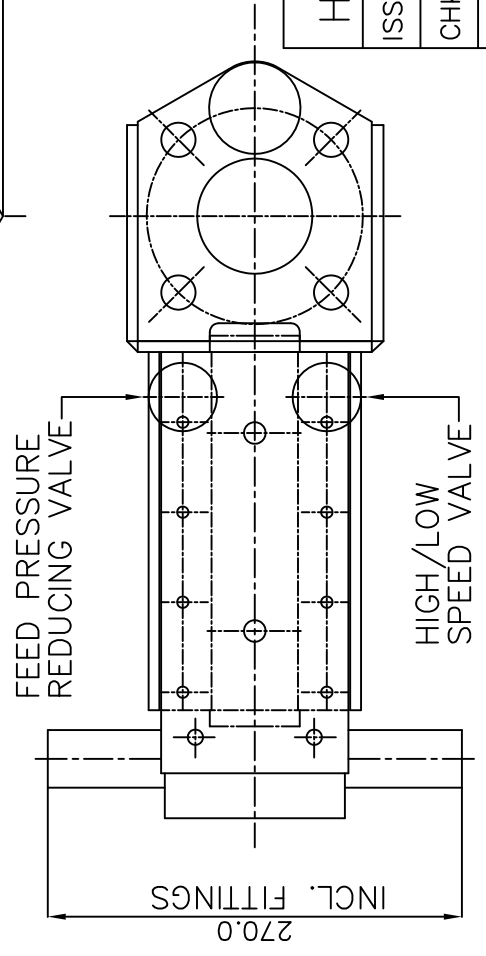
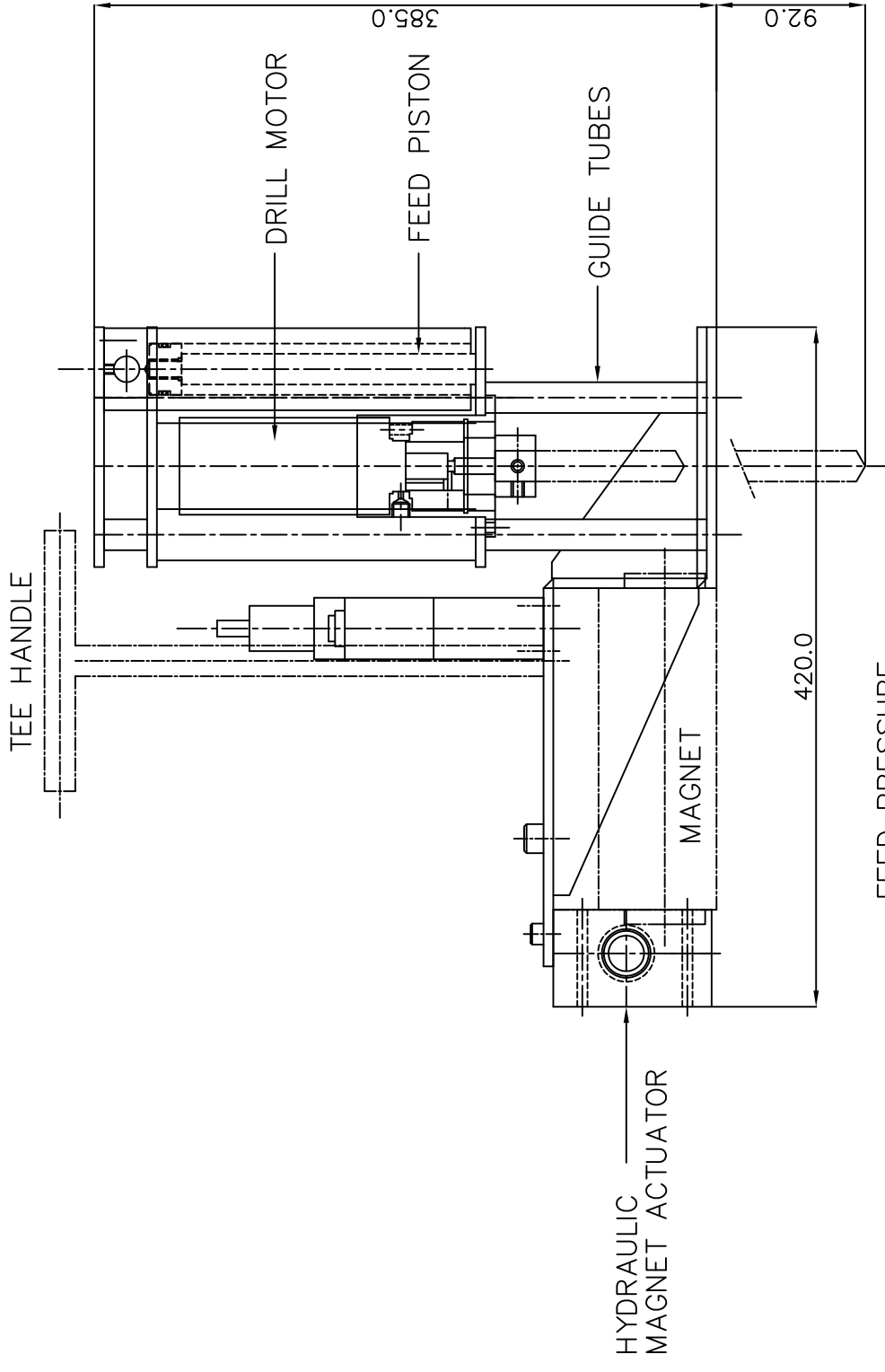


HLK-3200 Sub Sea Drilling System

The HLK-3200 Sub-sea Drilling System was designed for drilling holes so that sacrificial anodes could be fitted under water. It uses a heavy-duty magnet to hold the drilling system in place, while a hydraulic motor rotates the drill. An HLK-1080 Cylinder with a flow control valve pushes the drill carriage down the guide rods to drill the hole.

Specification:

| | | |
|---------------------|-----------------------------|--|
| Dimensions | Length | 420 mm |
| | Height | 385 mm |
| | Width | 270 mm |
| Magnet | Holding Force | 500 Kg (on ≤ 20 mm Plate) |
| Weight | Weight in air | 31 Kg |
| | Weight in water | 26 Kg |
| Construction | 316 SS | |
| Hydraulics | Max working pressure | 210 bar |
| Ports | | 1/8 NPT / 1/4 BSP |



| | |
|-------------------------|-----------------------------|
| HYDRO-LEK LTD. | SUBSEA MAGNET DRILLING TOOL |
| ISS. DATE: -- | MAT: -- |
| CHKD BY: -- | REV. NO: -- |
| DRAWN BY: -- JW 12/5/00 | DRG. NO: -- CMR 3200/DATA |
| C.M. INNOVATIONS LTD. | |