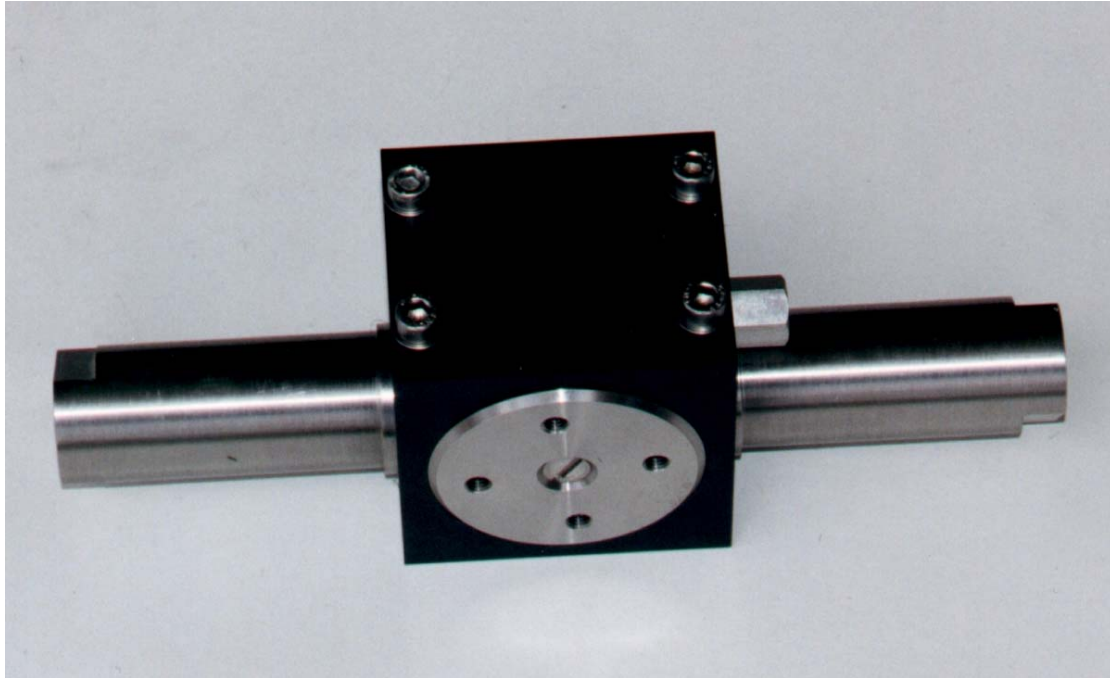




HYDRO-LEK

REMOTE HANDLING SPECIALISTS

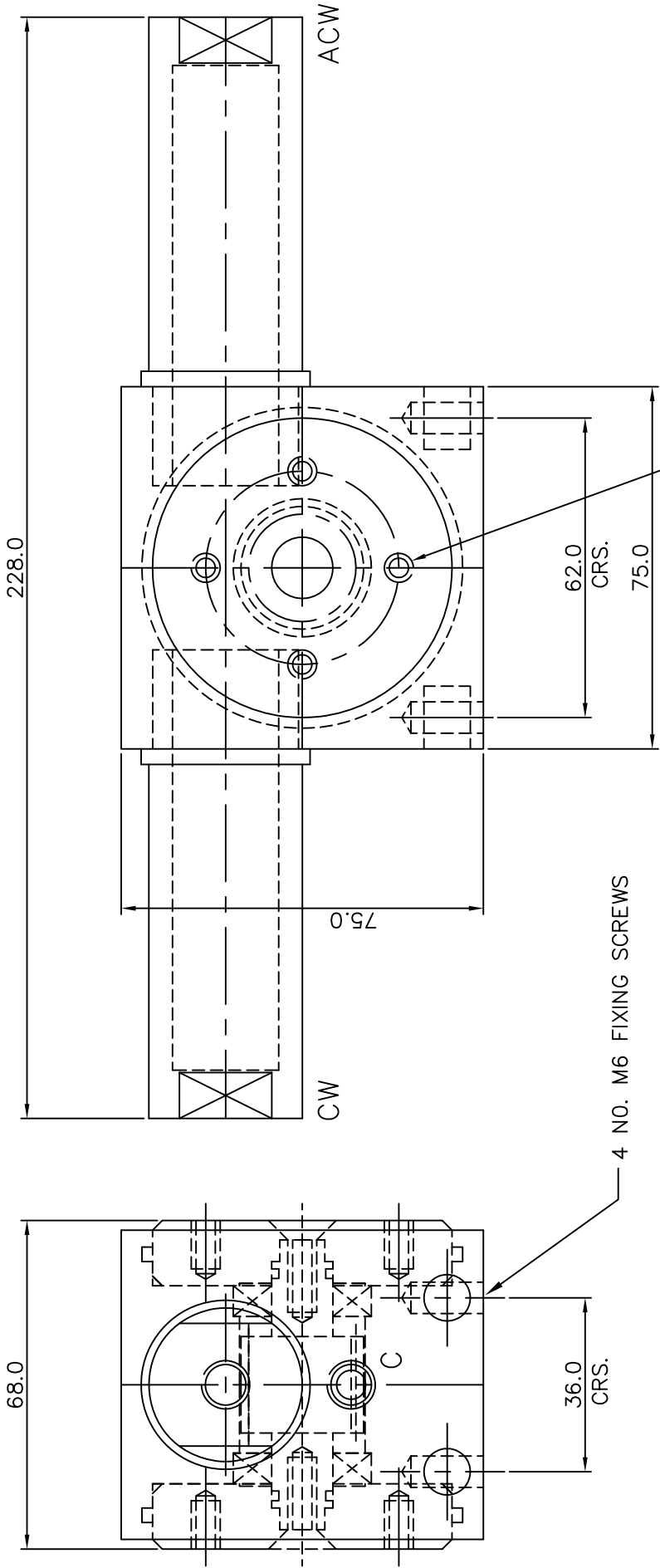


HLK-2290 Compact Camera Rotator:

The HLK-2290 Compact Camera Rotator has been developed to carry observation cameras in sub sea robotic, ROV and tooling environments. Being constructed from 316 stainless steel and acetal, it makes it ideal for permanent sub sea installation on steel structures. Also, having through body rotating plates, it makes it an ideal camera and lighting platform.

Specification:

Dimensions	Height	75 mm
	Width	230 mm
	Depth	70 mm
Function	Pan	360°
Weight	Weight in air	2.0 Kg
	Weight in water	1.5 Kg
Material	316 SS	
	Acetal	
Hydraulics	Pan torque	100 NM @ 180 BAR
	Max working pressure	210 bar
Ports		1/8 NPT / 7/16 SAE



PORTS

C =
 CW =
 ACW =

COMPENSATION
 PAN CLOCKWISE
 PAN C/CLOCKWISE

SPECIFICATION

PAN ANGLE 360°
 MAX. WORKING PRESS. 210 BAR
 PAN TORQUE 100 NM
 OVERALL HEIGHT 75
 OVERALL WIDTH 68/228
 WEIGHT IN AIR 2.0 KG
 WEIGHT IN WATER 1.5 KG
 PORTS 1/8" NPT / 7/16" SAE
 MATERIALS: - ACETAL
 316 ST. STEEL

HYDRO-LEK LTD	COMPACT CAMERA ROTATOR
ISS. DATE: -	MAT: - VARIOUS
CHKD BY: -	REV. NO: -
DRAWN BY: -	DRG. NO: - CMR 2290/DATA
	JW 4/5/00
	C.M. INNOVATIONS LTD.