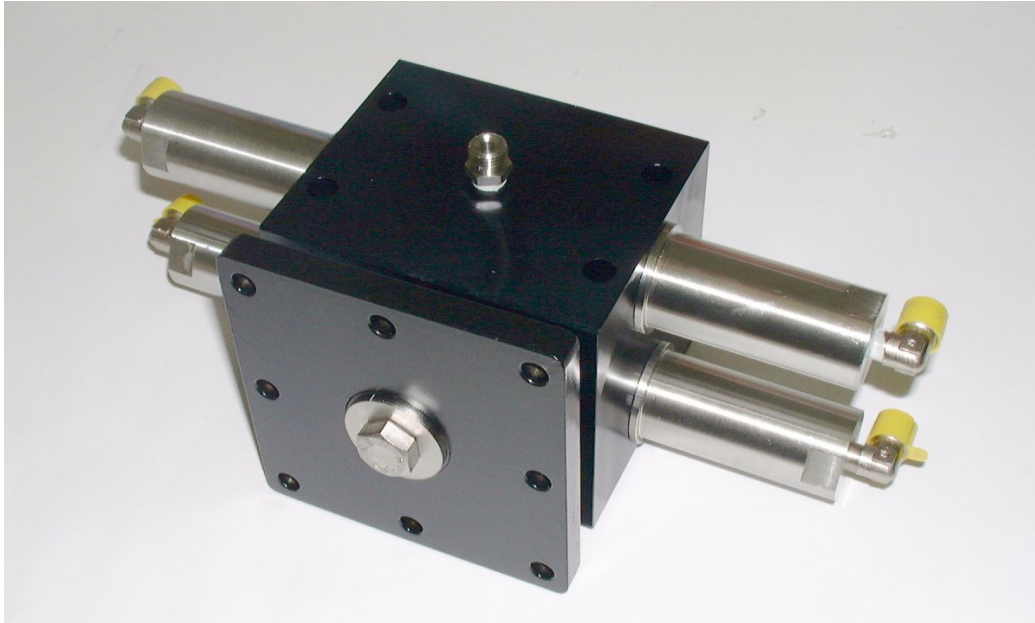




HYDRO-LEK

REMOTE HANDLING SPECIALISTS



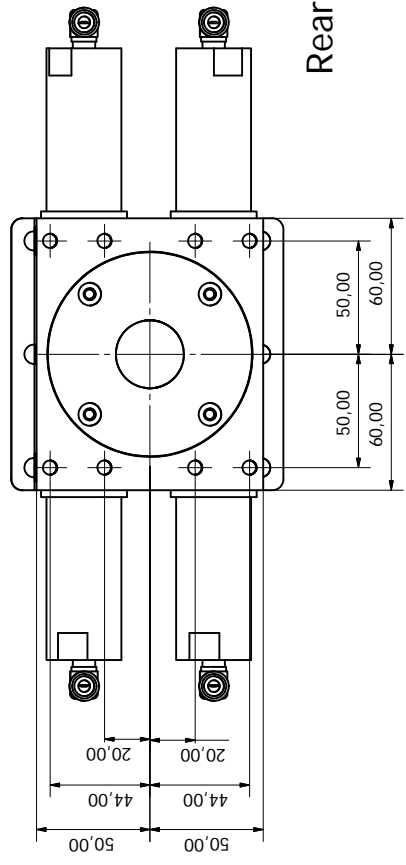
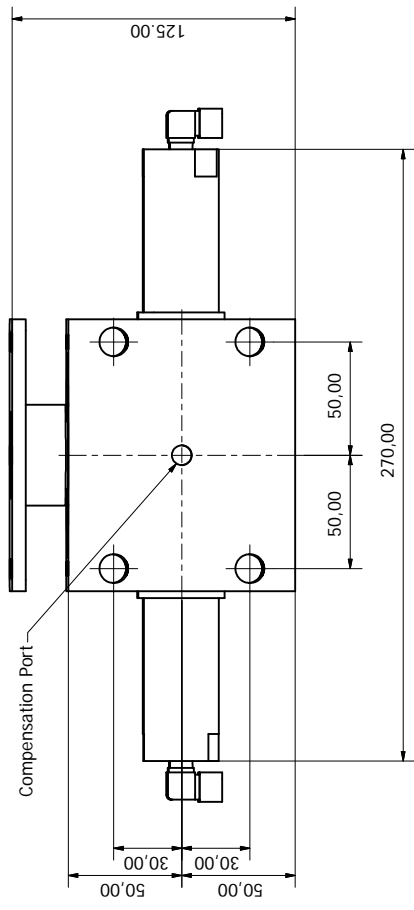
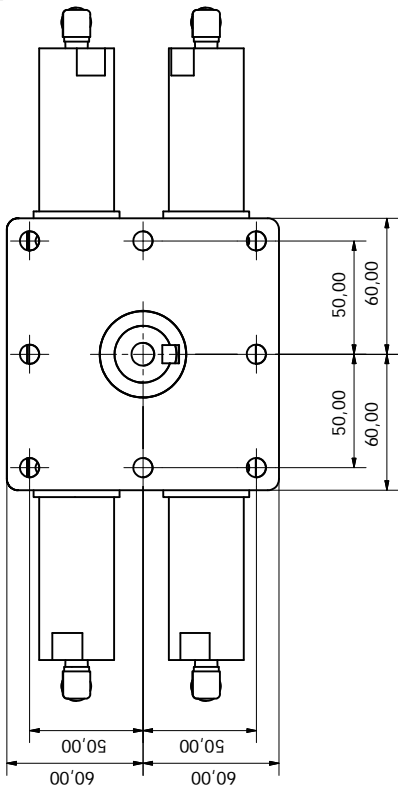
HLK-2260 180° Heavy Duty Rotary Actuator:

The HLK-2260 Heavy Duty Rotary Actuator is designed to rotate manipulator arms to enable a rotating access for inspection and positioning tasks. Different mounting plates can be fitted to accommodate a range of mounting styles. The double rack and pinion ensures a very robust arrangement, which has the minimum of backlash.

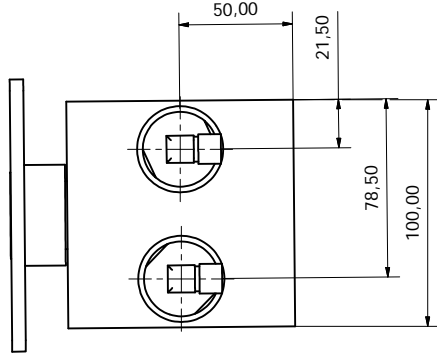
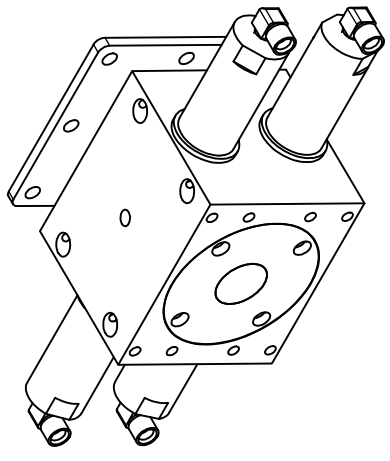
Specification:

Dimensions Height		120 mm (excluding arm mount)
Width		270 mm
Depth		100 mm
Function Rotation		180°
Weight	Weight in air	6.7 Kg
	Weight in water	5.4 Kg
Material	316	SS
Hydraulics	HE 30 Hard anodised aluminium alloy & 316 SS	
Max working pressure	Pan torque	260 NM @ 140 BAR
Ports		210 bar 1/8 NPT

Front Fixing Hole Positions



Rear Fixing Hole Positions



SPECIFICATION	
Pan Angle	180°
Max Working Pressure	210BAR
Pan Torque	260NM @ 140BAR
Height	120mm
Width	270mm + fittings
Length	100mm
Weight in Air	6.7Kg
Weight in Water	5.4Kg
Ports	NPT / SAE
Material	HE30 Aluminium - Hard Anodised 316 Stainless Steel

Designed by Alan Green	Checked by	Approved by	Date 23/07/2009
Hydro-Lek Limited, Falcon House Falcon Business Park, Ivanhoe Road Hogwood Lane Industrial Estate Finchampstead, Berks. RG40 4QQ Tel: 0118 9738903 Fax: 0118 9738916			Rotary Actuator G A
CMR 2260/2310 GA			Sheet Edition 1 / 1