



INNOVATIVE DESIGN ENGINEERING



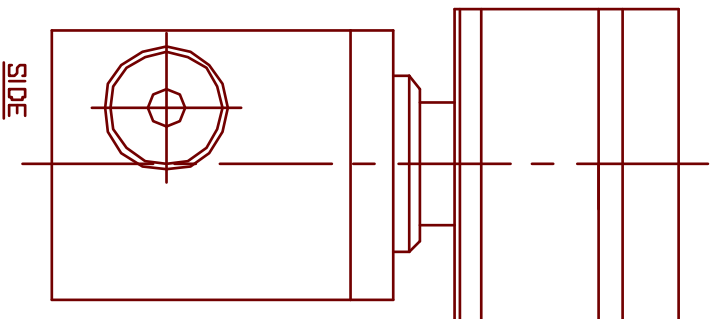
HLK-2200 Camera Rotator:

The HLK-2200 Camera Rotator is a derivative of the HLK-2150 Pan & Tilt using the same base section and camera mount clamp. It has a very rugged shaft and is ideal as a tilt or pan unit only. The redundant slip ring section, which normally drives the pan & tilt unit, can also be used as a high-pressure water jet-port when used as a cleaning head in pipe inspection, cutting and repair tools.

Specification:

Dimensions	Height	178mm
	Width (360° rotation)	226mm
	Depth	76mm
Function	Pan	360°
Weight	Weight in air	3Kg
	Weight in water	2.2Kg
Material	316 SS	
	HE 30 Hard anodised aluminium alloy	
Hydraulics	Max working pressure	210 bar
Ports		7/16 SAE / 1/8 NPT

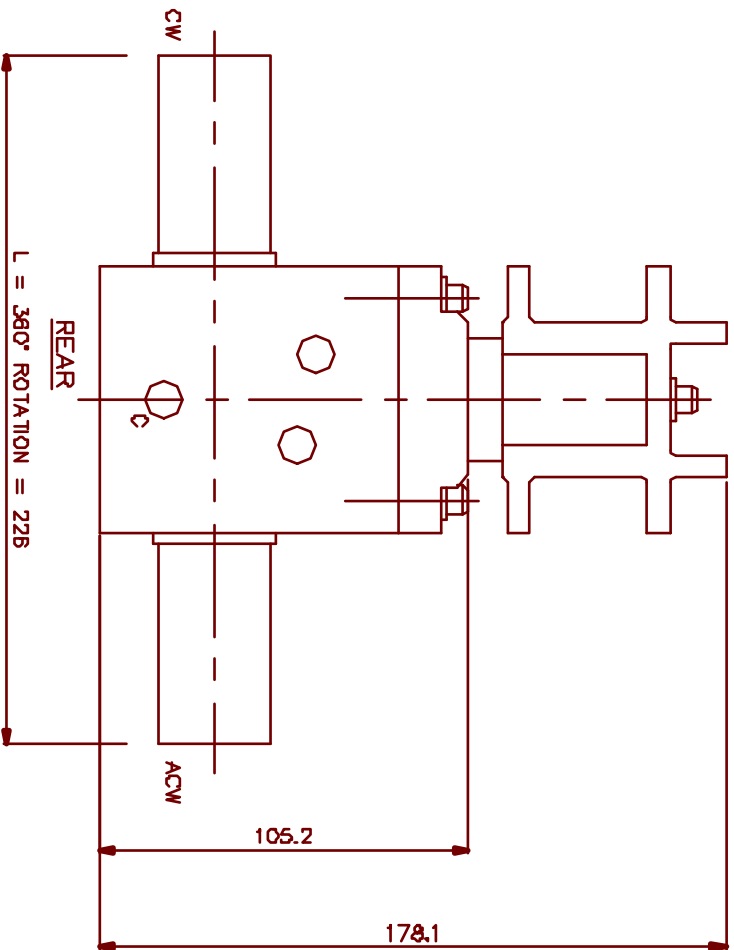
Hydro-Lek Ltd. Unit 4 Weller Drive Hogwood Lane Ind. Estate Finchampstead Berks. U.K. RG40 4QZ
Telephone: +44(0) 118 9736903 Fax: +44(0) 118 9736915
Web Site <http://www.hydro-lek.com> Email: enquiries@hydro-lek.com



SIDE



360°



REAR

L = 360° ROTATION = 226

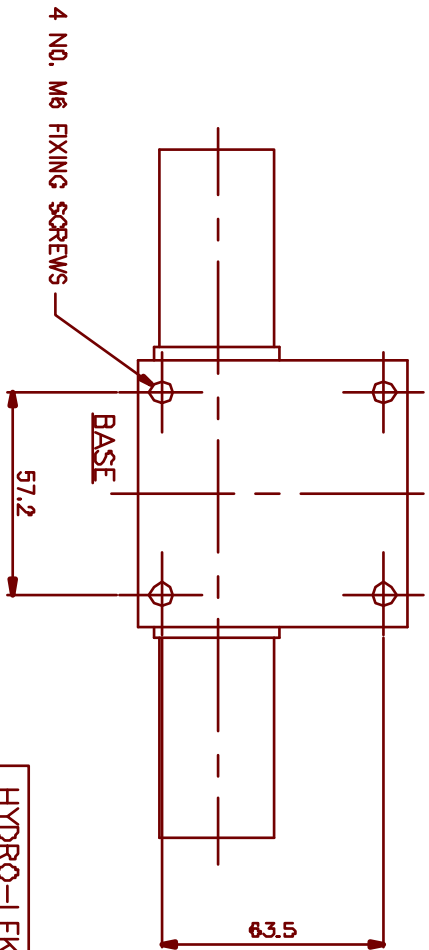
PORTS
 C -
 CW -
 ACW -

COMPENSATION
 PAN CLOCKWISE
 PAN C/CLOCKWISE

SPECIFICATION

PAN ANGLE
 MAX WORKING PRESS.
 PAN TORQUE
 OVERALL HEIGHT
 OVERALL WIDTH
 WEIGHT IN AIR
 WEIGHT IN WATER
 PORTS
 MATERIALS:-

360°
 210 BAR
 100 NM
 178
 226
 3.0 KG
 2.2 KG
 1/8" NPT / 7/16" SAE
 HE 30 ALUMINIUM
 316 ST. STEEL



BASE

4 NO. M6 FIXING SCREWS

57.2

83.5

HYDRO-LEK LTD		HLK-2200 CAMERA ROTATE UNIT	
ISS. DATE:-		MAT:-	VARIOUS
CHKD BY:-	REV. NO:-	DRG. NO:-	CMR 2200/DATA
DRAWN BY:- JW 19/8/99		CML INNOVATIONS LTD,	