



HYDRO-LEK

REMOTE HANDLING SPECIALISTS

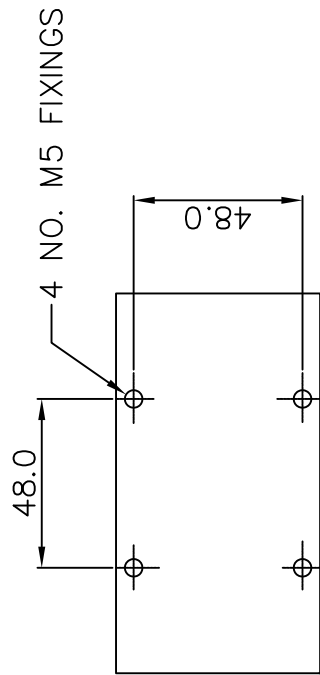
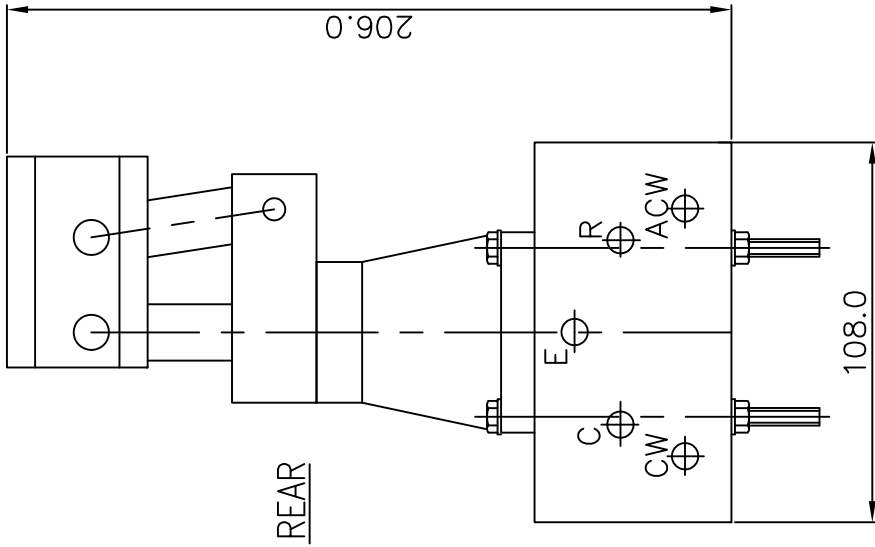
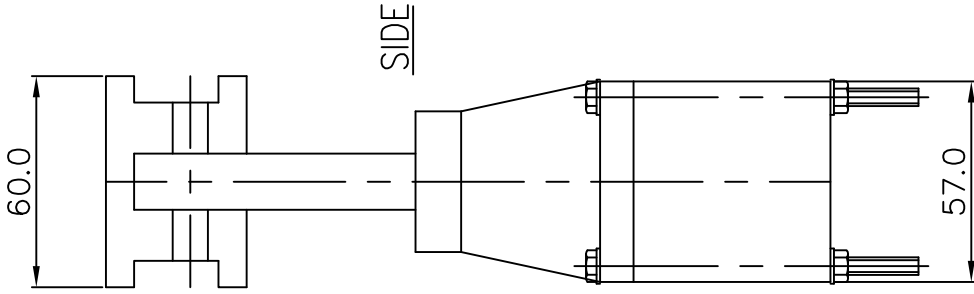


HLK-2100 Mini Pan & Tilt:

The HLK-2100 Mini Pan & Tilt is designed to be fitted to small ROV's, Tooling Skids and Tether Management Systems to enable miniature lightweight cameras or lights to be installed. Its unique slip ring and tilt action ensures the camera swept arc is kept to a minimum, with all of the hydraulic ports on the rear face of the block, for easy plumbing.

Specification:

Dimensions	Height	206 mm
	Width	108 mm
	Depth	60 mm
Function	Tilt	90°
	Pan	180°
Weight	Weight in air	2.0 Kg
	Weight in water	1.3 Kg
Material	316 SS	
	HE 30 Hard anodised aluminium	
Hydraulics Ports	Max working pressure	210 bar
		7/16 SAE / 1/8 NPT



SPECIFICATION

PAN ANGLE 180°
 TILT ANGLE 90°
 MAX WORKING PRESSURE 210 BAR
 PAN TORQUE 14 NM
 TILT TORQUE 40 NM
 OVERALL HEIGHT 206 mm
 OVERALL WIDTH 108 mm
 WEIGHT IN AIR 2 Kg
 WEIGHT IN WATER 1.3 Kg

PORTS 1/8 NPT – 7/16 SAE
 MATERIALS : HE30 ALUMINIUM
 316 STL STEEL

PORTS

E = TILT EXTEND
 R = TILT RETRACT
 C = COMPENSATION
 CW = PAN CL / WISE
 ACW = PAN C CL / WISE

HYDRO-LEK LTD	HLK-2100 MINI PAN AND TILT
ISS. DATE: -	MAT: -
CHKD BY: -	REV. NO: -
DRAWN BY: - JW 4/5/00	DRG. NO: - CMR 2100/DATA
	C.M. INNOVATIONS LTD.