



INNOVATIVE DESIGN ENGINEERING



### HLK-60120 Bi-Directional Valve

The HLK-60120 Bi-Directional Valve houses a bi-directional solenoid operated cartridge valve capable of handling up to 9Litres / min. The ports can be configured to suit various options. It can be fitted with a standard on/off or proportional control valve.

#### Specification:

<b>Dimensions</b>	<b>Height</b>	<b>208mm</b>
	<b>Diameter</b>	<b>63mm</b>
<b>Weight</b>	<b>Weight in air</b>	<b>1.4Kg</b>
	<b>Weight in water</b>	<b>0.8Kg</b>
<b>Ports</b>	<b>Pressure, Tank &amp; Output</b>	<b>1/4" BSP</b>
	<b>Compensation</b>	<b>1/8" NPT</b>
	<b>Max Working Pressure</b>	<b>210 BAR</b>
	<b>Flow</b>	<b>9L/Min</b>
<b>Coil</b>	<b>Voltage</b>	<b>24Volts DC</b>
<b>Construction</b>		<b>HE30 Aluminium</b>
		<b>Hard Black anodised</b>

Hydro-Lek Ltd. Unit 4 Weller Drive Hogwood Lane Ind. Estate Finchampstead Berks U.K. RG40 4QZ

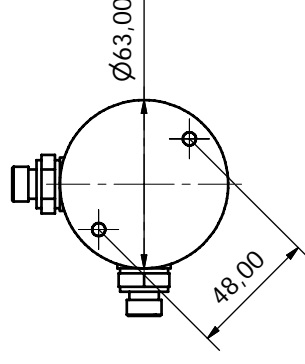
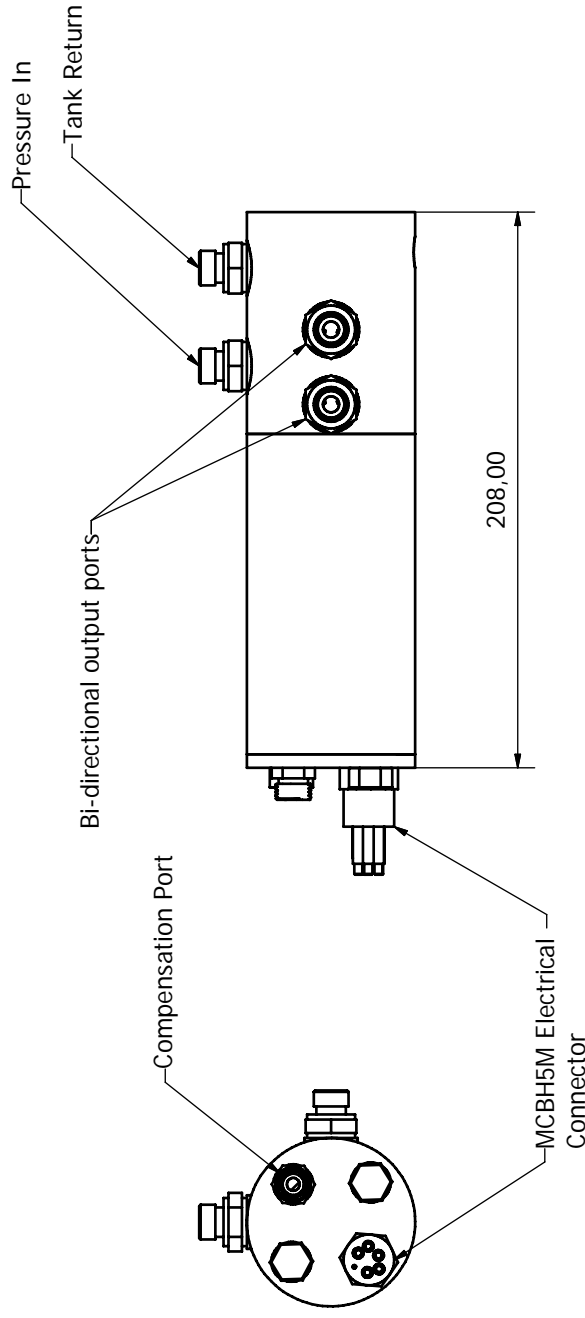
Telephone: +44(0) 1189 736903 Fax: +44(0) 1189 736915

Web Site: <http://www.hydro-lek.com> Email: [enquiries@hydro-lek.com](mailto:enquiries@hydro-lek.com)

# Specification & Parts Subject to Change Without Prior Notification

## Wiring Information

- Pin 1 = Coil A -
- Pin 2 = N/C
- Pin 3 = Coil A +
- Pin 4 = Coil B -
- Pin 5 = Coil B +



Designed by Alan Green	Checked by	Approved by	Date 28/02/2008
Hydro-Lek Limited, Unit 4, Weller Drive Hogwood Lane Industrial Estate Finchampstead, Berks · RG40 4QZ Tel. 0118 9736903 Fax. 0118 9736915		Bi-pass / Tooling Valve	
HILK-60120		Edition 0	Sheet 1 / 1