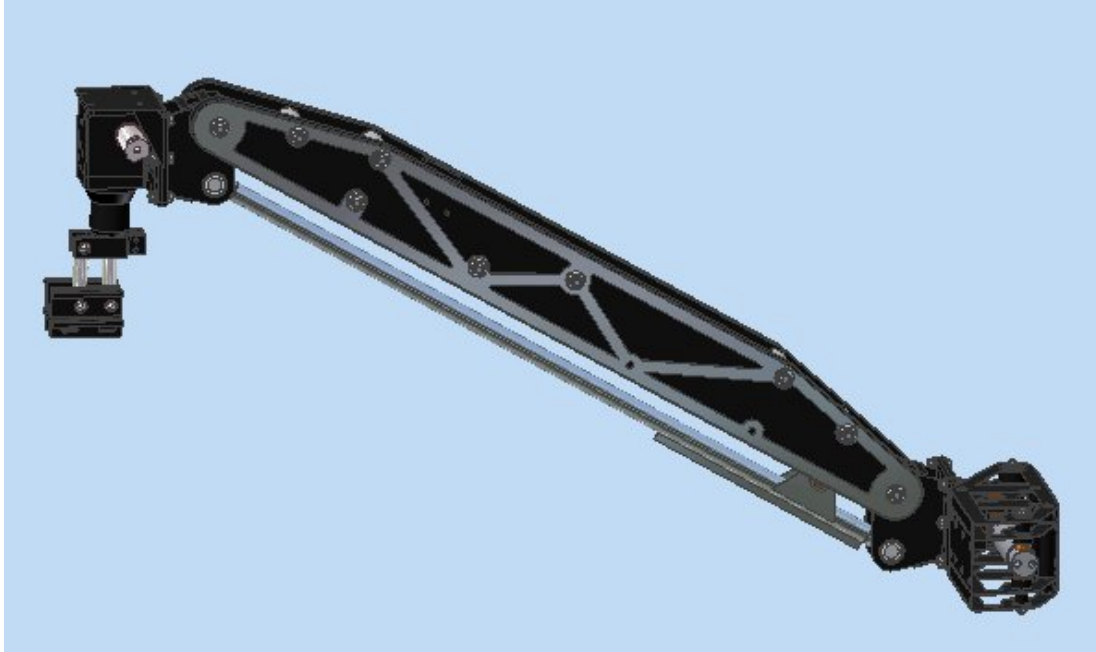




HYDRO-LEK

REMOTE HANDLING SPECIALISTS



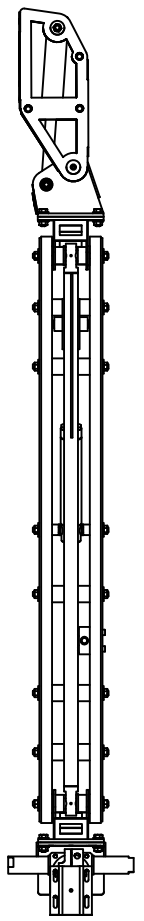
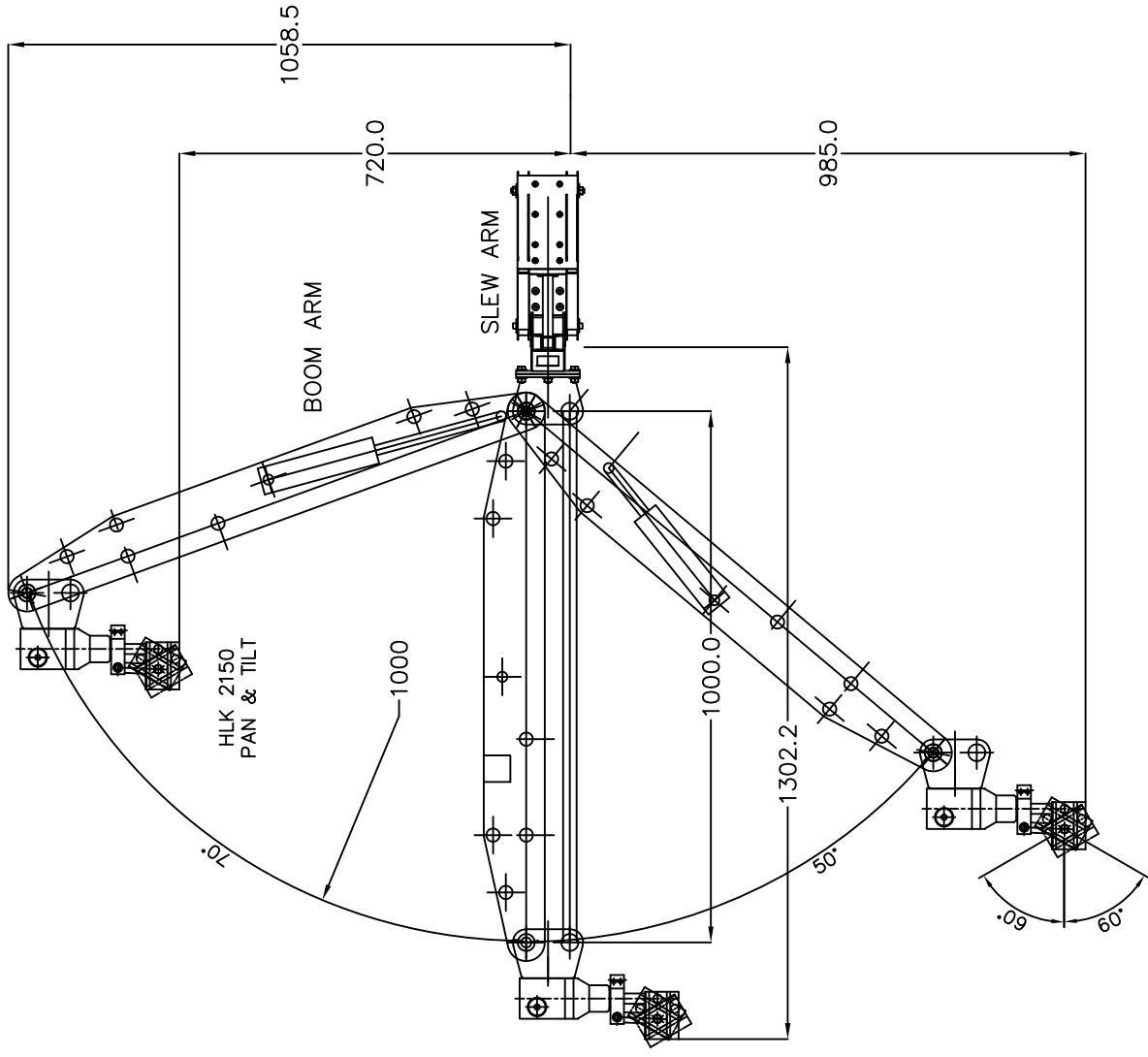
HLK-4600 Camera Boom Arm With Pan & Tilt:

The HLK-4600 Camera Boom Arm has been designed for pipeline inspection work. Using a pair of these arms, pipelines of up to 36" can be easily inspected. Its unique design allows the camera mount to stay at the same angle through the entire 120° of angular movement of the arm, without any adjustment. The camera mount can be tilted through a 120° and rotated through 360°. The arm uses Hydro-Lek's standard HLK-1300 hydraulic cylinders and HLK-2150 Pan & Tilt.

Specification:

Dimensions	Length of arm	1350 mm
	Height	310 mm
	Width	120 mm
Movement Range	Up / Down	70-0-50°
	Left / Right	90-0-30°
	Camera Pan	360°
	Tilt	120°
Weight	Weight in air	27.0 Kg
	Weight in water	22.0 Kg
Construction	316 SS	
	HE 30 Hard Anodised Aluminium	
	Polyethylene	

FOR SLEW PLATE FIXING DETAIL SEE DRG. CMR 5330



SPECIFICATION

OVERALL LENGTH 1625
 OVERALL HEIGHT 310
 OVERALL WIDTH 120
 WORKING PRESSURE 210 BAR
 WEIGHT IN AIR 27.0 KG (APPROX)
 WEIGHT IN WATER 22.0 KG (APPROX)
 MATERIALS: - HE 30 HARD ANODISED ALUMINIUM
 316 ST. STEEL
 NYLON 66
 POLYETHYLENE
 1/8" NPT / 7/16" SAE

PORTS: -

HYDRO-LEK LTD.		CAMERA BOOM
ISS. DATE: -	MAT: -	
CHKD BY: -	REV. NO: - 2	DRG. NO: - CMR 4600PT/DATA
DRAWN BY: - JO 14/4/10		C.M. INNOVATIONS LTD.