



HYDRO-LEK

REMOTE HANDLING SPECIALISTS



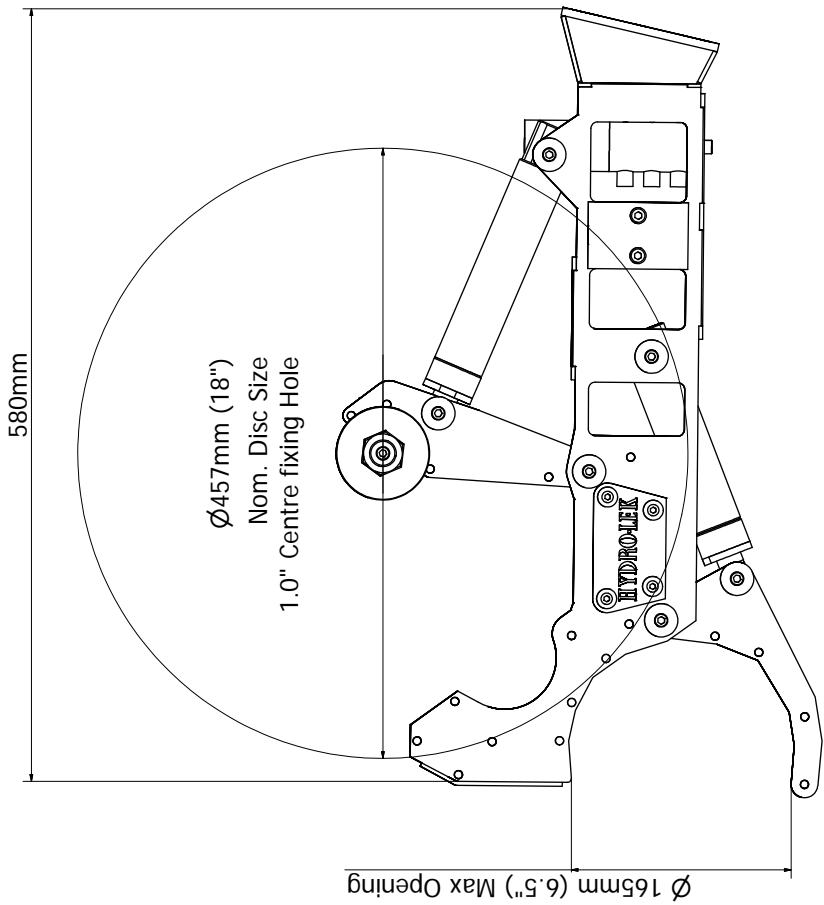
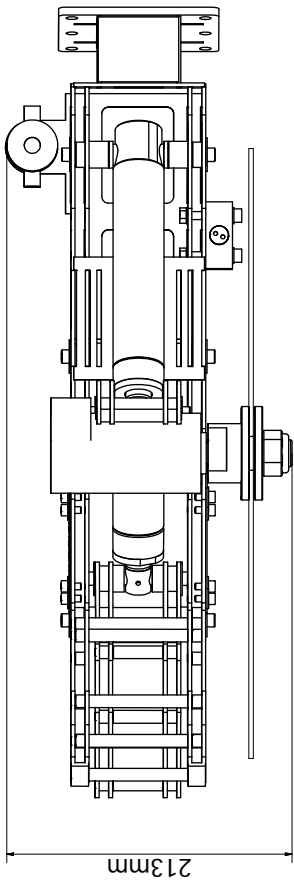
HLK-33625 6" Cutter:

The HLK-33625 6" Cutter is a self-contained grab, feed and cut unit, which for a weight of only 14Kg can cut pipe, cable or grout hose. This is a significant weight reduction on standard anvil cutters. It can be controlled using standard Hydro-Lek systems or directly from a work class ROV. Constructed principally from 316 stainless steel, the grab grips around the item to be cut, then with the cutter disc rotating, it feeds on to the work piece at a controlled rate to make the cut.

Specification:

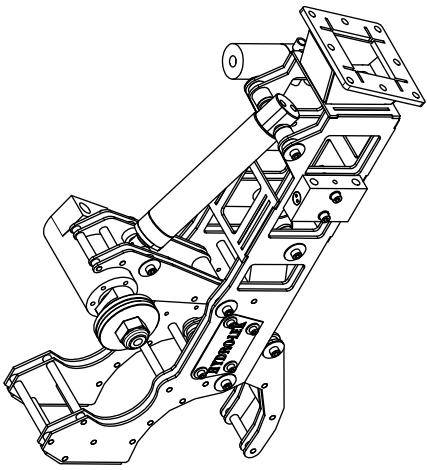
Dimensions	Length	580mm
	Height (less disc)	375mm
	Width	213mm
Function	Cutting disc size	<18" (460mm)
	Rotational Speed	400-1000rpm
	Grab	165mm -4 0mm
Weight	Weight in air	13Kg
	Weight in water	11Kg
Construction	316 SS	
Hydraulics	Max working pressure	210 bar
	Recommended working pressure	180 bar (to achieve 6" cut)
	Min Flow (Cutter Disc)	8Litres / Min.
	Ports	1/8 NPT / 3/8 BSP

Specification & dimensions subject to change without prior notification



SPECIFICATION

MAX Jaw Opening	165mm
MAX Cutting size	152mm
MIN Cutting Size	38mm
Cutter rotational Speed	400 - 1000 RPM
Weight (in air)	13kg
Weight (in water)	11kg
Max Working Pressure	210 BAR
Ports	1/8" NPT & 3/8" BSP
Materials	316 S.S.



Property	Created by	Approved by	Date
Alan Green			05/03/2007
Hydra-Lok Limited, Unit 4, Walker Drive Howwood Lane Industrial Estate Frunchampstead, Berks, RG40 4QZ Tel: 0118 9728908 Fax: 0118 9728915			
6" Cutter Assembly			Revision
			1 / 1
			0