

HLK-33900

38mm Anvil Cutter

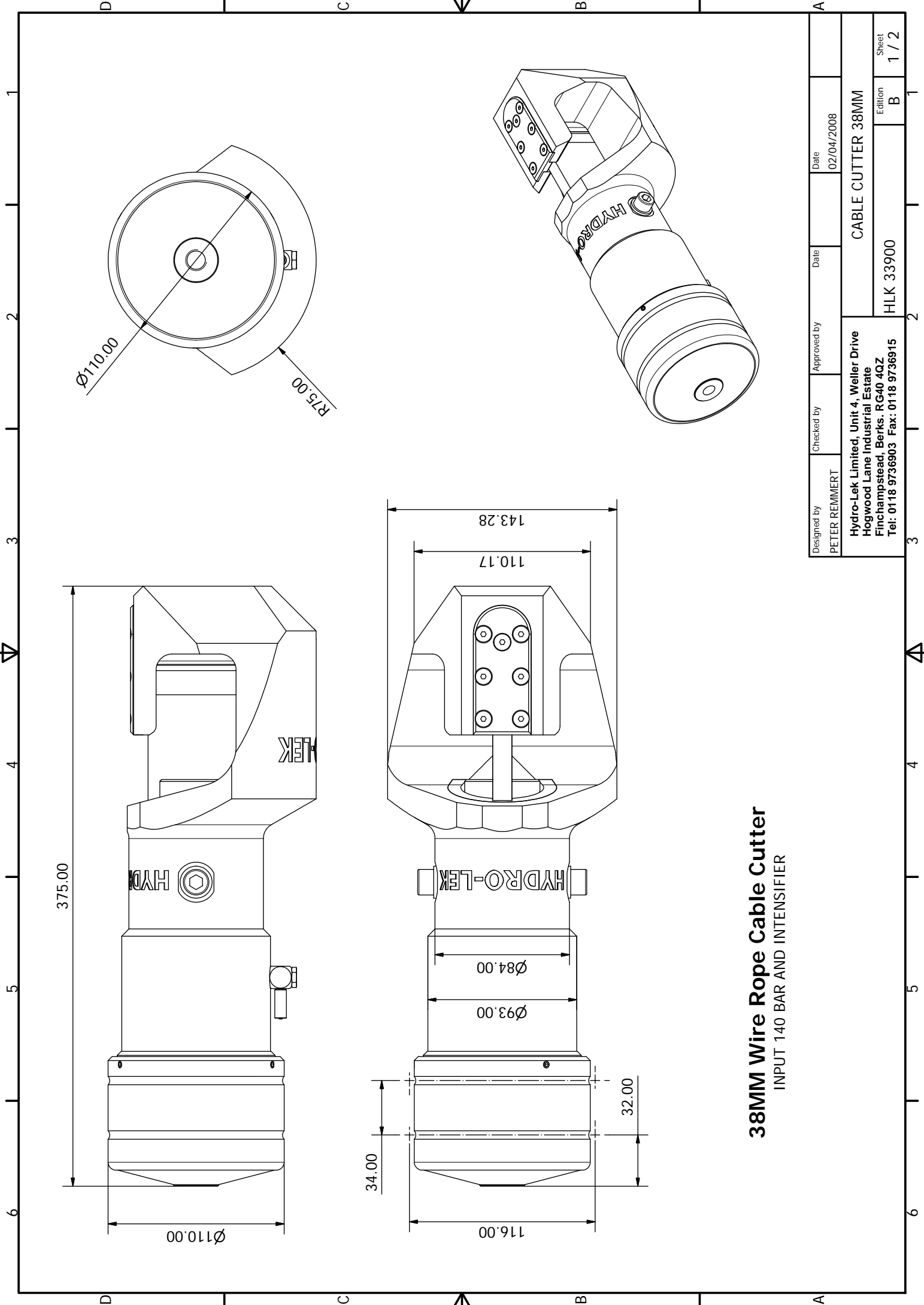


Features

- Capable of cutting up to 38mm stainless steel wire rope
- Can be mounted onto the Hydro-Lek HD and RHD series manipulators
- Alternatively can be mounted into a 'T Handle' frame held in a standard manipulator jaw

Specification:

Dimensions	Length	375mm
	Height	130mm
	Width	143mm
Function	Cutting Stainless Steel rope	38mm
Weight	Weight in air	17.5Kg
	Weight in water	15Kg
Construction	316 SS & 17-4PH SS	
Hydraulics	Nominal pressure to cut 38mm wire rope (supplied via intensifier)	560 BAR
Ports	Hydro-Lek Banjo Fittings	



38MM Wire Rope Cable Cutter
 INPUT 140 BAR AND INTENSIFIER

Designed by PETER REMMERT	Checked by	Approved by	Date 02/04/2008	A
Hydro-Lek Limited, Unit 4, Weller Drive Hogwood Lane Industrial Estate Finchampstead, Berks. RG40 4QZ Tel: 0118 9736903 Fax: 0118 9736915			HILK 33900	2
CABLE CUTTER 38MM			Edition B	1
			Sheet 1 / 2	1